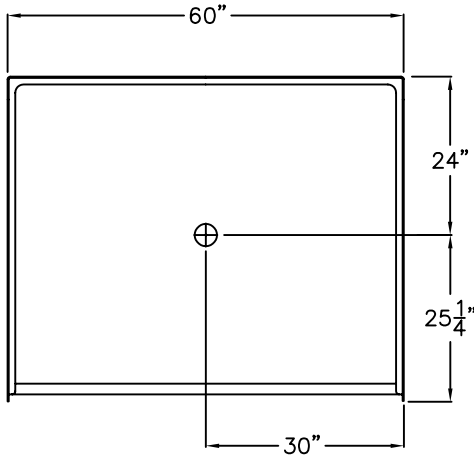
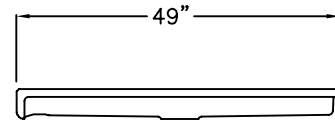


SUBMITTAL DATA

TOP VIEW



SIDE VIEW



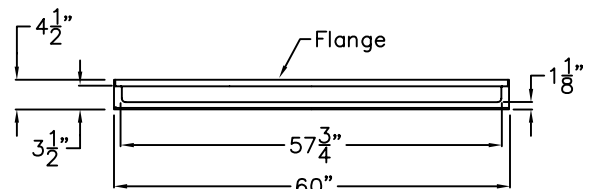
Barrier Free Shower Pan

The shower pan shall be RRSP6048 BF PAN 1.125, center drain. Finished surface shall be of a sanitary-grade polyester Gelcoat exhibiting a minimal thickness of 15 dry mils, and a finished cured Barcol hardness of 80-90 as tested with ASTM D-2583. Unit construction shall be of molded reinforced fiberglass with a minimum fiberglass content. The unit shall have outside dimensions of 60" x 49" x 4 1/2". The one piece pan shall meet ANSI Z124.2, NAHB, UPC, and shall meet the requirements of Southern Building Code.

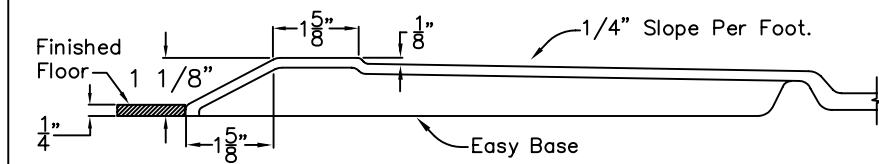
The enclosure shall be equipped with the following installed accessories:

- 1) Low entry 1 1/8" threshold,
- 2) Factory installed Easy Base self sustaining bottom.

FRONT VIEW



Detail of 1 1/8" Threshold



DUE TO THE NATURE OF THE MATERIALS INVOLVED  
UNIT DIMENSIONS MAY VARY ± 1/2 INCH

|              |                                 |               |                   |
|--------------|---------------------------------|---------------|-------------------|
| Job Name:    | Health at Home, Inc.            |               |                   |
| Model No.:   | Drawing#: RBSP6048 BF 1.125 PAN |               |                   |
| Approved by: | Date Approved:                  | Date: 3-31-09 | Revised: 12-20-10 |
| Rep.:        | Wholesaler:                     | Quote No.     |                   |