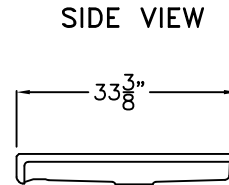
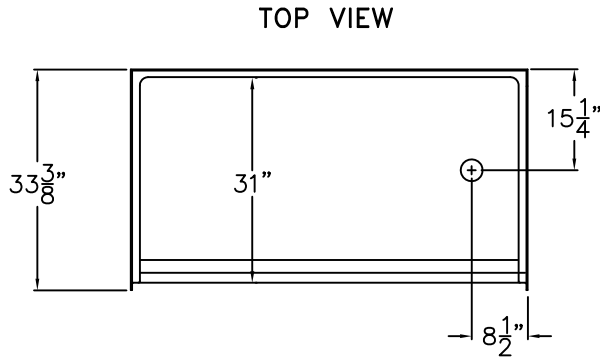


SUBMITTAL DATA

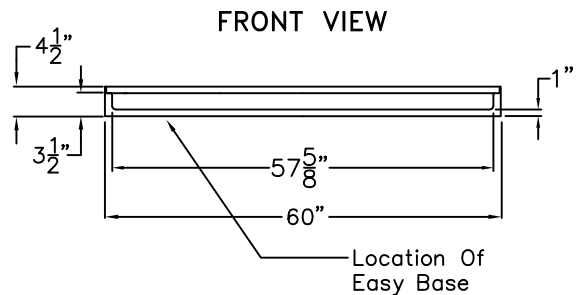


Barrier Free Shower Pan

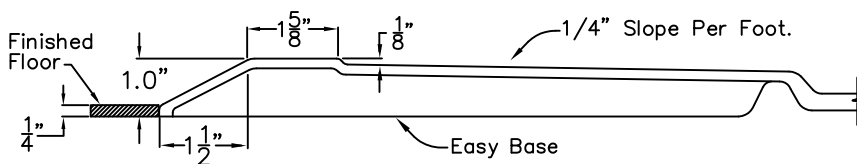
The shower enclosure shall be RRSP6033 BF 1.0 Pan, Left or Right. Finished surface shall be of a sanitary-grade Polyester Gelcoat exhibiting a minimal thickness of 15 dry mils, and a finished cured Barcol hardness of 80-90 as tested with ASTM D-2583. Unit construction shall be of molded reinforced fiberglass with a minimum fiberglass content. The unit shall have outside dimensions of 60" x 33 3/8" x 4 1/2". The gelcoat pan shall meet ANSI Z124.2, NAHB, UPC, comply with CSA, and shall meet the requirements of Southern Building Code.

The enclosure shall be equipped with the following installed accessories:

- 1) Low entry 1.0" Threshold.
- 2) Left or Right Drain Location.
- 3) Easy Base self-sustaining bottom.



Detail of 1.0" Threshold



DUE TO THE NATURE OF THE MATERIALS INVOLVED UNIT DIMENSIONS MAY VARY ± 1/2 INCH

Job Name:	Health at Home, Inc.	
Model No.:	Drawing#: RBSP6033 BF 1.0 Pan Left or Right Drain Easy Base	
Approved by:	Date Approved:	Date: 3-31-09 Revised: 2-7-11
Rep.:	Wholesaler:	Quote No.

ORDER ENTRY BY FAX 888.802.8186 OR EMAIL orders@healthathomeinc.com Office
704.960.0148 or 980.900.2845 www.healthathomeinc.com
Products that enhance safety, vitality, & longevity at home.

Recyclable Paper