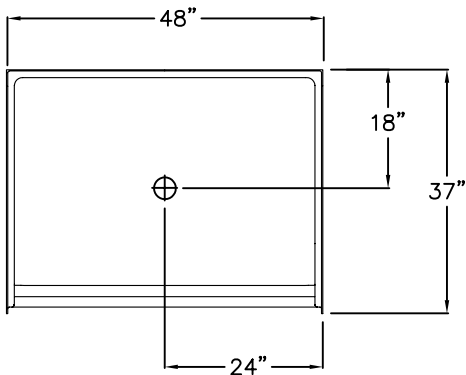
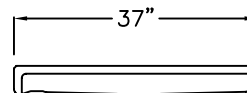


RENOVATIVE BATH SYSTEMS
SUBMITTAL DATA

TOP VIEW



SIDE VIEW



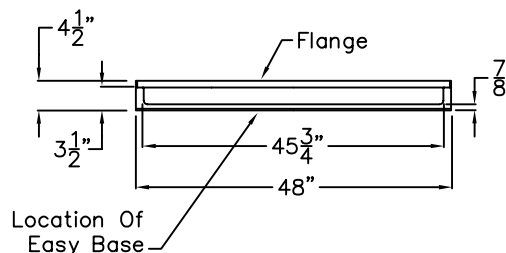
Barrier Free Shower Pan

The shower pan shall be RRSP4836 BF PAN .875, center drain. Finished surface shall be of a sanitary-grade polyester Gelcoat exhibiting a minimal thickness of 15 dry mils, and a finished cured Barcol hardness of 80-90 as tested with ASTM D-2583. Unit construction shall be of molded reinforced fiberglass with a minimum fiberglass content. The unit shall have outside dimensions of 48" x 37" x 4 1/2". The one piece pan shall meet ANSI Z124.2, NAHB, UPC, and shall meet the requirements of Southern Building Code.

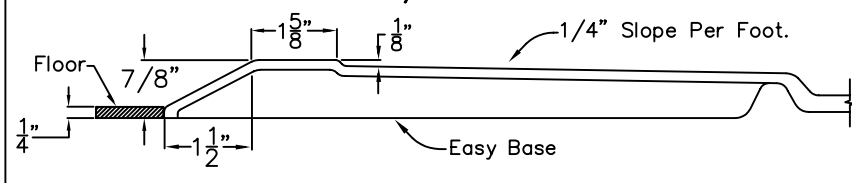
The enclosure shall be equipped with the following installed accessories:

- 1) Low entry threshold 7/8" threshold,
- 2) Factory installed Easy Base self sustaining bottom.

FRONT VIEW



Detail of 7/8" Threshold



DUE TO THE NATURE OF THE MATERIALS INVOLVED
UNIT DIMENSIONS MAY VARY ± 1/2 INCH

| | | | |
|--------------|---------------------------------|---------------|-------------------|
| Job Name: | Health at Home, Inc. | | |
| Model No.: | Drawing#: RBSP 4836 BF .875 PAN | | |
| Approved by: | Date Approved: | Date: 3-31-09 | Revised: 12-20-10 |
| Rep.: | Wholesaler: | Quote No. | |

ORDER ENTRY BY FAX 888.802.8186 OR EMAIL orders@healthathomeinc.com

Recyclable Paper

704.960.0148 or 980.900.2845 www.healthathomeinc.com

Products that enhance safety, vitality, & longevity at home.