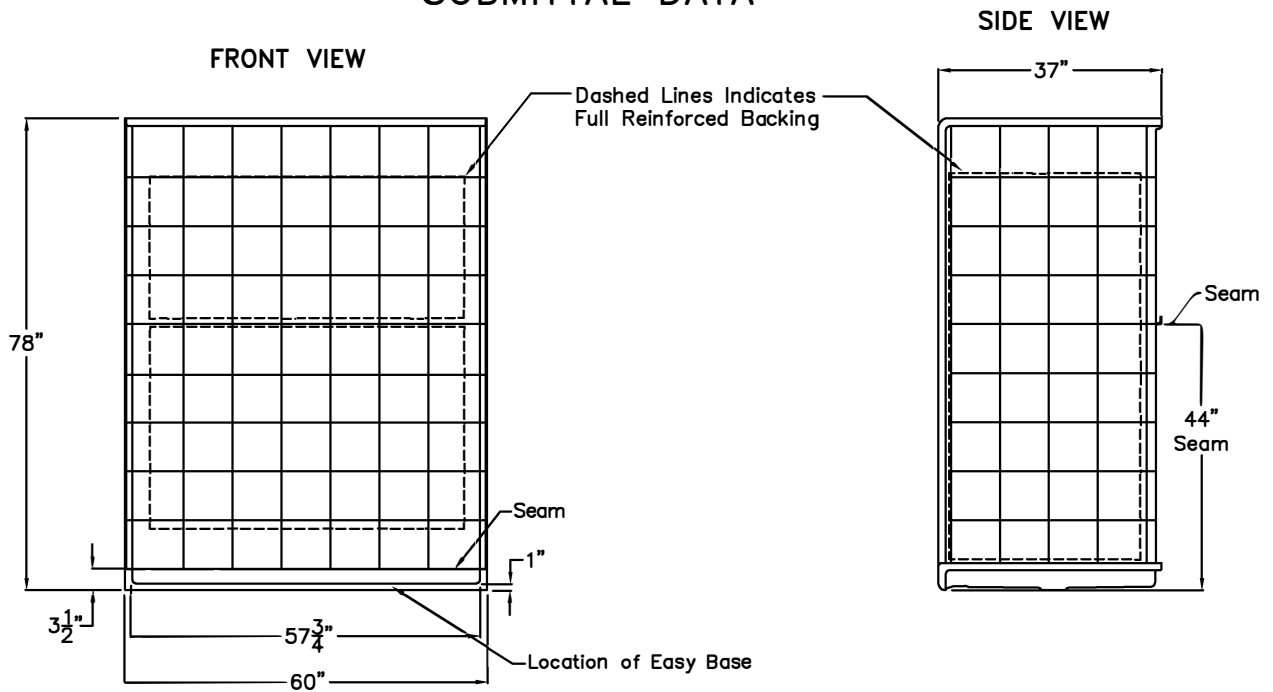
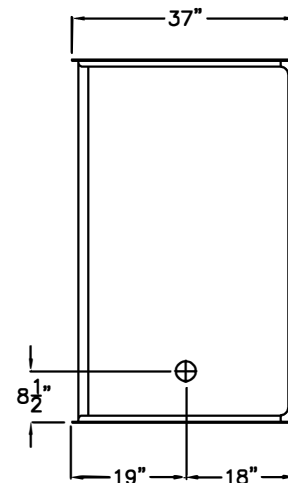


Comfort Series

SUBMITTAL DATA



TOP VIEW



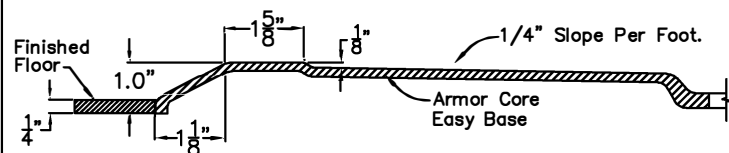
Sectional Shower

This shower enclosure shall be Aquarius model MP 6036 BF 5P 1.0 left or right drain location. Finished surface shall be of sanitary-grade applied acrylic. The unit shall have outside dimensions of 60" x 37" x 78". The unit shall meet ANSI Z124.1.2.

The enclosure shall be equipped with the following factory installed accessories:

- 1) Tile finish,
- 2) Five piece sectional design,
- 3) Full reinforced backing on all walls,
- 4) Armor Core Easy Base,
- 5) Left or right drain location,
- 6) 1.0" threshold.

Detail of 1.0" Threshold



DUE TO THE NATURE OF THE MATERIALS
UNIT DIMENSIONS MAY VARY ± 1/2 INCH

Health at Home, Inc.

Drawing#: RBS 6036 BF 5P 1.0 L/R
No Shelf FWB Easy Base

Approved By Print Name:

Approved By Signature:

Date:

Date: 3-31-09

Revised: 2-6-20

Rep.:

Wholesaler:

Quote No.

ORDER ENTRY BY FAX 888.802.8186 OR EMAIL orders@healthathomeinc.com

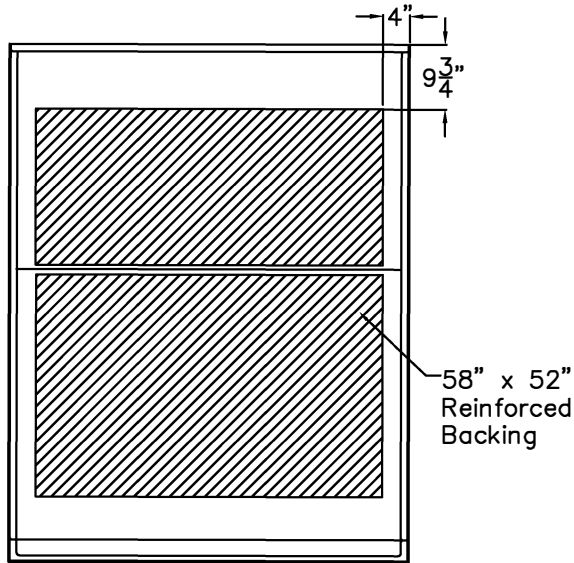
Office 704.960.0148 or 980.900.2845 www.healthathomeinc.com

Products that enhance safety, vitality, & longevity at home.

Backing Placement Drawing

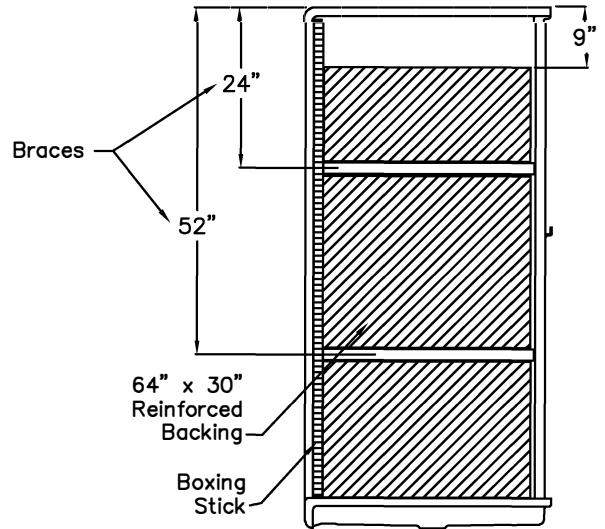
SUBMITTAL DATA

FRONT VIEW

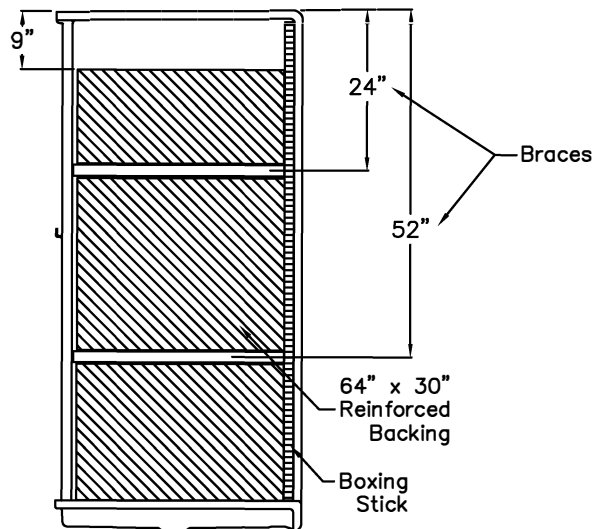


Easy Base

SIDE VIEW



SIDE VIEW



DUE TO THE NATURE OF THE MATERIALS
UNIT DIMENSIONS MAY VARY ± 1/2 INCH

Job Name:	Health at Home, Inc.		
Approved by Print Name:	Drawing#: RBS 6036 BF 5P 1.0 L/R No Shelf FWB Easy Base-BP		
Approved by Signature:	Date:	Date: 3-31-09	Revised: 2-6-20
Rep.:	Wholesaler:	Quote No.:	

ORDER ENTRY BY FAX 888.802.8186 OR EMAIL orders@healthathomeinc.com

Office 704.960.0148 or 980.900.2845 www.healthathomeinc.com

Products that enhance safety, vitality, & longevity at home.