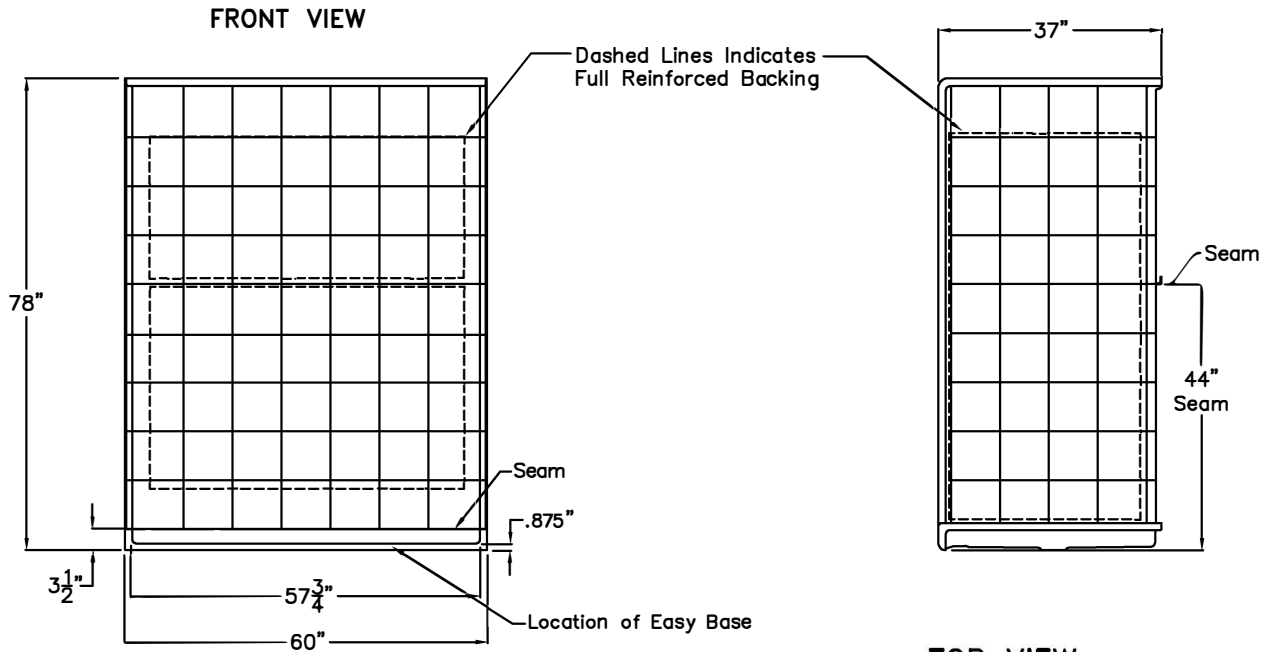


SUBMITTAL DATA



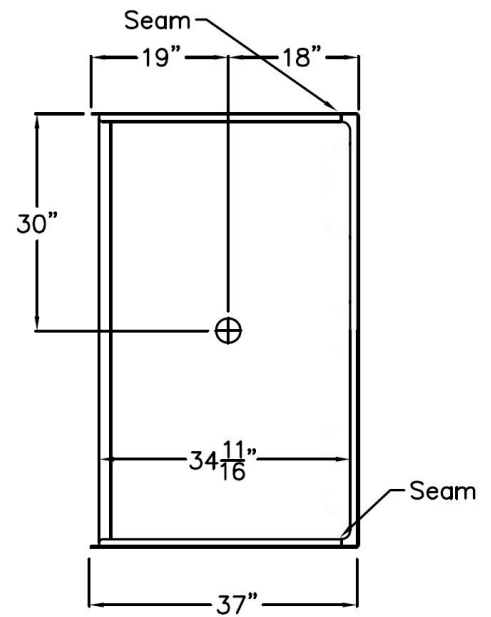
Sectional Shower

This shower enclosure shall be RSB 6036 BF 5P .875 Center drain location. Finished surface shall be of sanitary-grade applied acrylic. The unit shall have outside dimensions of 60" x 37" x 78". The unit shall meet ANSI Z124.1.2.

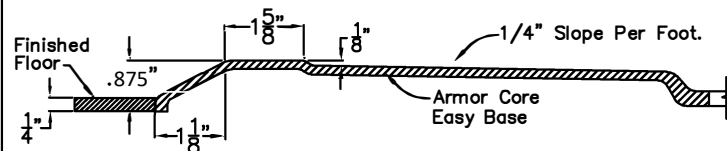
The enclosure shall be equipped with the following factory installed accessories:

- 1) Tile finish,
- 2) Five piece sectional design,
- 3) Full reinforced backing on all walls,
- 4) Armor Core Easy Base,
- 5) Left or right drain location,
- 6) 0.875" threshold.

TOP VIEW



Detail of .875" Threshold



DUE TO THE NATURE OF THE MATERIALS UNIT DIMENSIONS MAY VARY ± 1/2 INCH

Health at Home, Inc. Drawing#:	
RBS 6036 BF 5P .875 C No Shelf FWB Easy Base	
Approved By Signature:	Date: 3-31-09
Approved By Print Name:	Revised: 2-6-20
Rep.:	Quote No.
Wholesaler:	

ORDER ENTRY BY FAX 888.802.8186 OR EMAIL orders@healthathomeinc.com

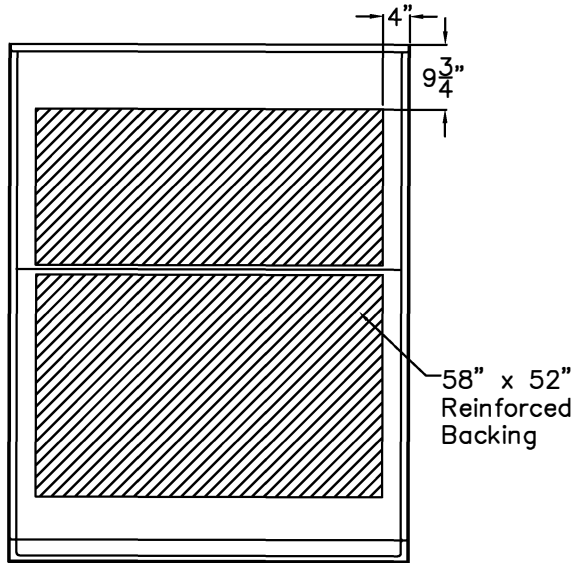
Office 704.960.0148 or 980.900.2845 www.healthathomeinc.com

Products that enhance safety, vitality, & longevity at home.

Backing Placement Drawing

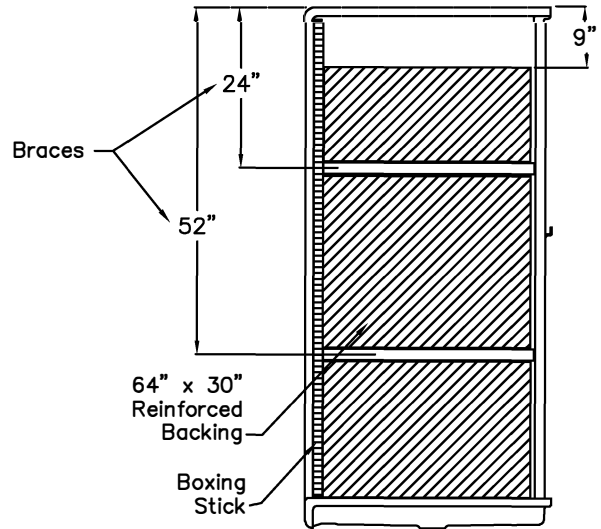
SUBMITTAL DATA

FRONT VIEW

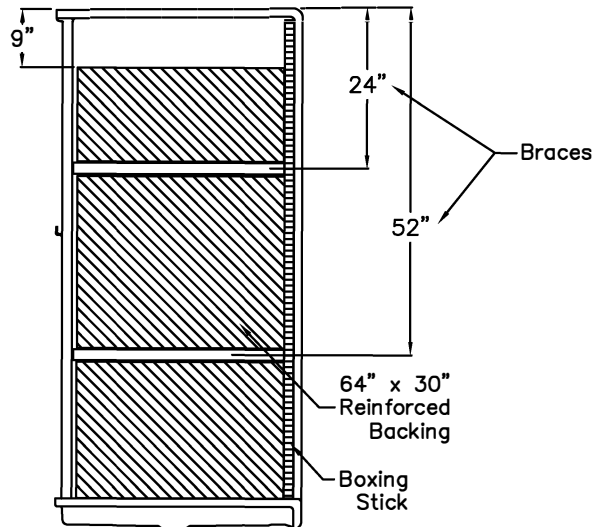


Easy Base

SIDE VIEW



SIDE VIEW



DUE TO THE NATURE OF THE MATERIALS
UNIT DIMENSIONS MAY VARY ± 1/2 INCH

Job Name:	Health at Home, Inc.
Approved by Print Name:	Drawing#: RBS 6036 BF 5P .875 C No Shelf FWB Easy Base-BP
Approved by Signature:	Date: 3-31-09 Revised: 2-6-20
Rep.:	Wholesaler: Quote No.:

ORDER ENTRY BY FAX 888.802.8186 OR EMAIL orders@healthathomeinc.com

Office 704.960.0148 or 980.900.2845 www.healthathomeinc.com

Products that enhance safety, vitality, & longevity at home.