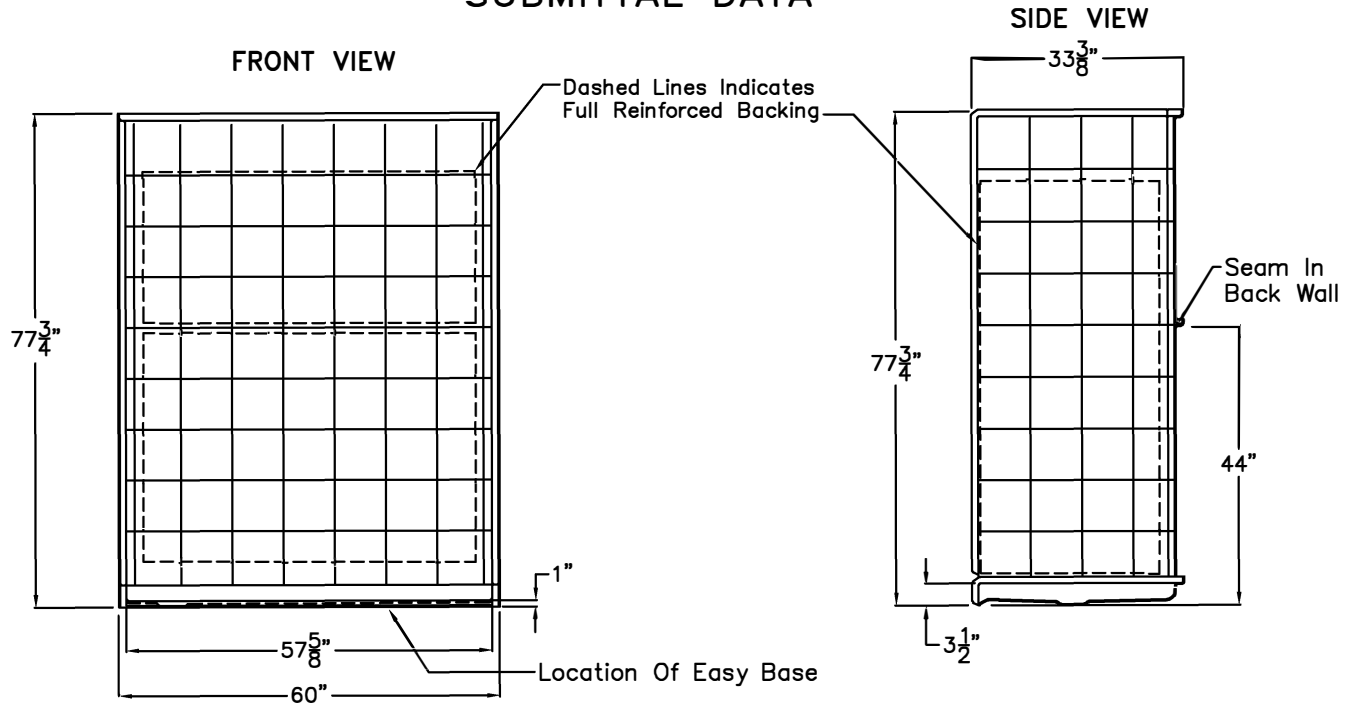


# Comfort Series SUBMITTAL DATA



## Sectional Shower Stall

The shower enclosure shall be model RBS 6033 BF 1.0 5 Piece left, right drain. Finished surface shall be of a sanitary-grade applied acrylic.

Unit construction shall be of molded reinforced fiberglass with a 15% minimum fiberglass content.

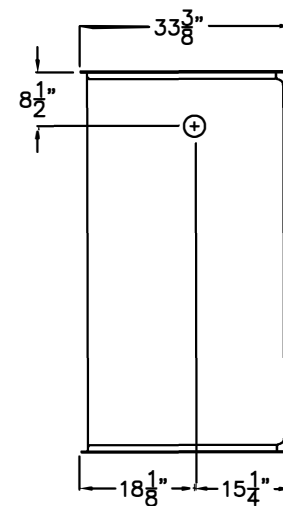
The unit shall have outside dimensions of 60" x 33 3/8" x 77 3/4". The five piece unit shall meet ANSIZ124.1.2.

**NOTE: DUE TO THE COMPACT SIZE OF THIS PRODUCT, THE INTERIOR DEPTH DOES NOT COMPLY WITH IRC, IPC, AND UPC CODES.**

The enclosure shall be equipped with the following installed accessories:

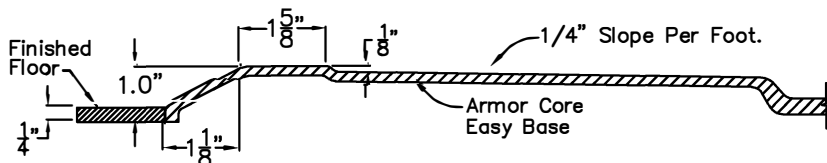
- 1) Full reinforced backing on walls, 2) Five piece sectional design, 3) Flat walls, no molded ledges, 4) Tile finish, 5) Seam in back wall, 6) Armor Core Easy Base, 7) Left or right drain location, 8) 1.0" change of level threshold.

## TOP VIEW



DUE TO THE NATURE OF THE MATERIALS INVOLVED  
UNIT DIMENSIONS MAY VARY ± 1/2 INCH

## Detail of 1.0" Threshold



Health at Home, Inc.

Approved By Print Name:

Drawing#: RBS 6033 BF 5P 1.0 L/R  
No Shelf FWB Easy Base

Approved By Signature:

Date Approved:

Date: 3-31-09

Revised: 2-6-20

Rep.:

Wholesaler:

Quote No.

ORDER ENTRY BY FAX 888.802.8186 OR EMAIL orders@healthathomeinc.com

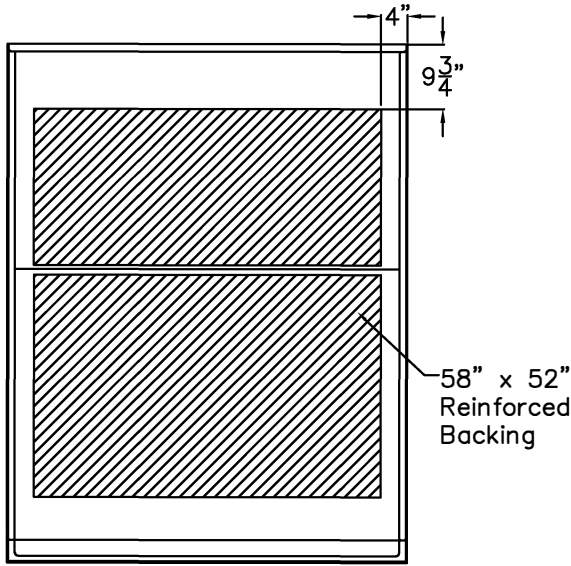
Office 704.960.0148 or 980.900.2845 www.healthathomeinc.com

Products that enhance safety, vitality, & longevity at home.

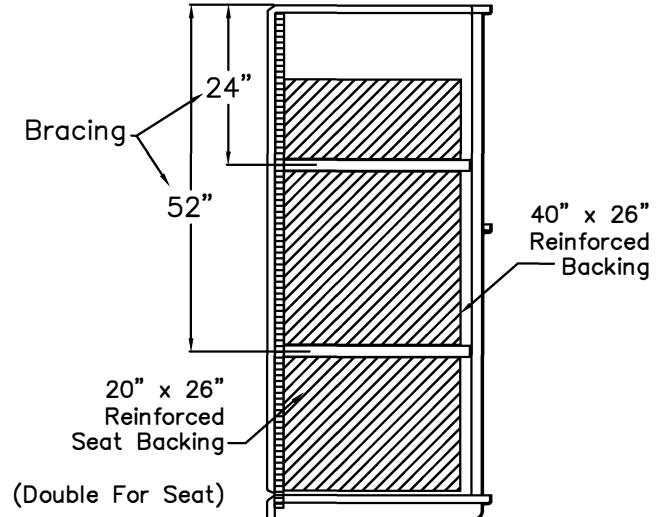
# Backing Placement Drawing

## SUBMITTAL DATA

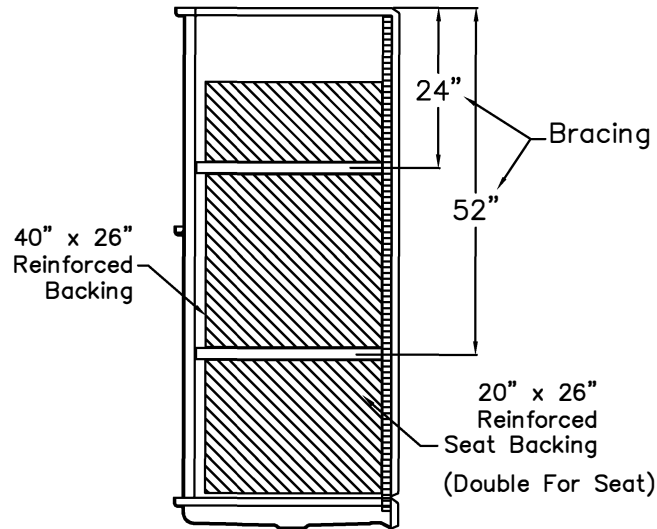
FRONT VIEW



SIDE VIEW



SIDE VIEW



DUE TO THE NATURE OF THE MATERIALS INVOLVED  
UNIT DIMENSIONS MAY VARY ± 1/2 INCH

Job Name:

Health at Home, Inc.

Approved by Print Name:

Drawing#: RBS 6033 BF 5P 1.0 L/R  
No Shelf FWB Easy Base-BP

Approved by Signature:

Date:

Date: 3-31-09

Revised: 2-6-20

Rep.:

Wholesaler:

Quote No.:

ORDER ENTRY BY FAX 888.802.8186 OR EMAIL [orders@healthathomeinc.com](mailto:orders@healthathomeinc.com)

Office 704.960.0148 or 980.900.2845 [www.healthathomeinc.com](http://www.healthathomeinc.com)

*Products that enhance safety, vitality, & longevity at home.*