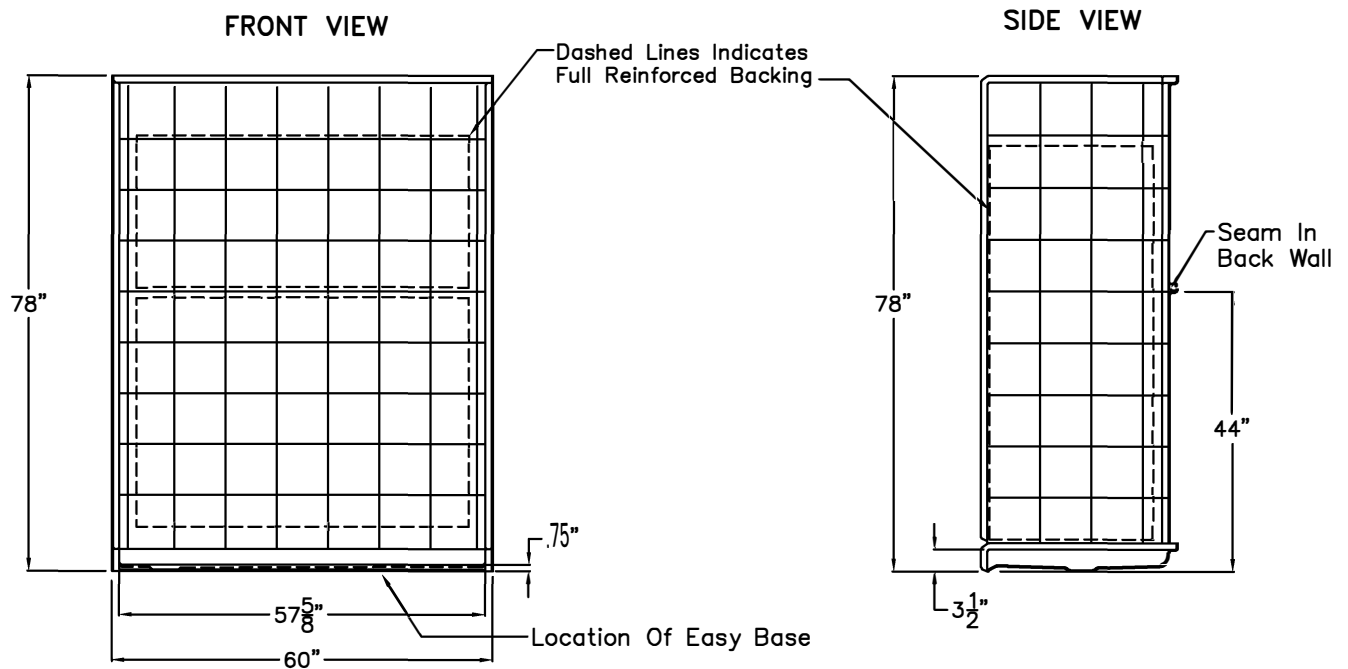


SUBMITTAL DATA



Sectional Shower Stall

The shower enclosure shall be model RBS 6030 BF .75 5 Piece Center drain. Finished surface shall be of a sanitary-grade applied acrylic.

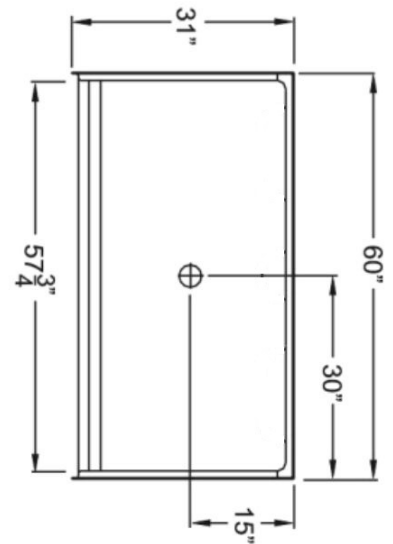
Unit construction shall be of molded reinforced fiberglass with a 15% minimum fiberglass content.

The unit shall have outside dimensions of 60" x 31" x 78". The five piece unit shall meet ANSI Z124.1.2, CSA B45.5, and HUD-UM73.

NOTE: DUE TO THE COMPACT SIZE OF THIS PRODUCT, THE INTERIOR DEPTH DOES NOT COMPLY WITH IRC, IPC, AND UPC CODES.

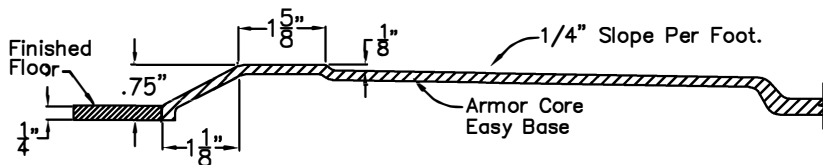
The enclosure shall be equipped with the following installed accessories:

- 1) Full reinforced backing on walls, 2) Five piece sectional design, 3) Flat walls, no molded ledges, 4) Tile finish, 5) Seam in back wall, 6) Armor Core Easy Base, 7) Left or right drain location, 8) 0.75" change of level threshold.



DUE TO THE NATURE OF THE MATERIALS INVOLVED
UNIT DIMENSIONS MAY VARY ± 1/2 INCH

Detail of .75" Threshold



Health at Home, Inc.

Drawing#: RBS 6030 BF 5P .75 c
No Shelf FWB Easy Base

Approved By Print Name:

Approved By Signature:

Date Approved:

Date: 3-31-09

Revised: 2-5-20

Rep.:

Wholesaler:

Quote No.

ORDER ENTRY BY FAX 888.802.8186 OR EMAIL orders@healthathomeinc.com Office

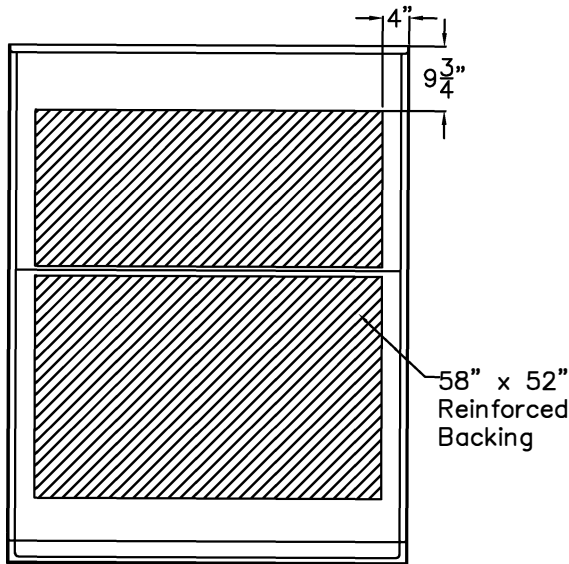
704.956.4121 or 850.543.4482 www.healthathomeinc.com

Products that enhance safety, vitality, & longevity at home.

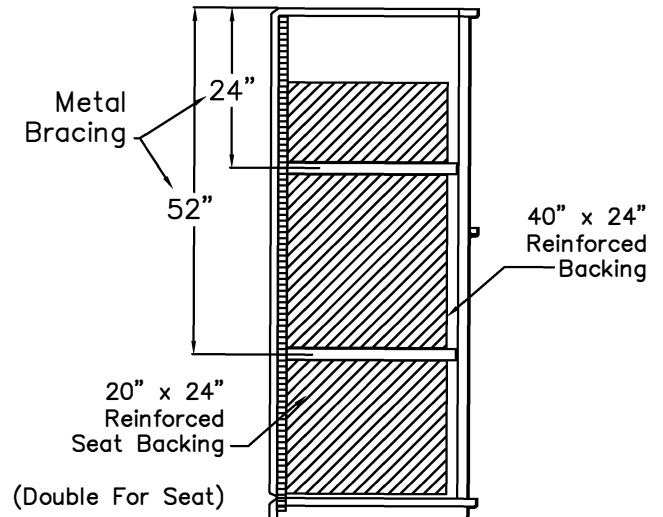
Backing Placement Drawing

SUBMITTAL DATA

FRONT VIEW

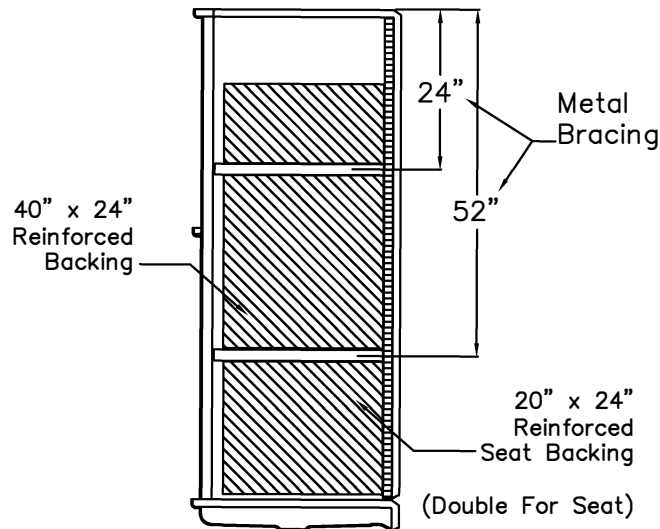


SIDE VIEW



Easy Base

SIDE VIEW



DUE TO THE NATURE OF THE MATERIALS INVOLVED
UNIT DIMENSIONS MAY VARY ± 1/2 INCH

Job Name:	Health at Home, Inc.		
Approved by Print Name:	Drawing#: RBS 6030 BF 5P C No Shelf FWB Easy Base-BP		
Approved by Signature:	Date:	Date: 3-31-09	Revised: 2-5-20
Rep.:	Wholesaler:	Quote No.:	

ORDER ENTRY BY FAX 888.802.8186 OR EMAIL orders@healthathomeinc.com Office
704.956.4121 or 850.543.4482 www.healthathomeinc.com
Products that enhance safety, vitality, & longevity at home.