



health at home, inc.
Enhancing Safety, Vitality & Longevity at Home

Bilanx bathing collection®

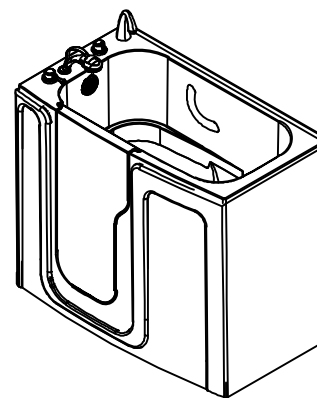
strike the balance Design Safety

RA2-Tahoe

Model RA2 is a freestanding or built-in, compact, 70-gallon side access bathing tub.

Features:

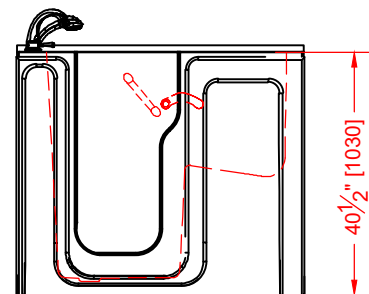
- Walk in style bathtub with an inward left or right swinging door
- Hot & Cold Water Supply Connections: 3/4" NPT - male
- TMV Thermal mixing valve, access from top
- Factory installed overflow and cable drain assembly
- Drain Outlet: 2" PVC. Includes a 2" to 1-1/2" PVC reducer shipped loose
- Seat height is designed for ease of sitting and standing (non-slip surface included)
- Optional heated back & seat, air spa, or water jet upgrades available
- Optional deck extension and/or wall surround
- One (1) removable front access panel
- Contoured reclined seat
- Paricare void
- Free standing or built in design
- Reverse Plumbing capable



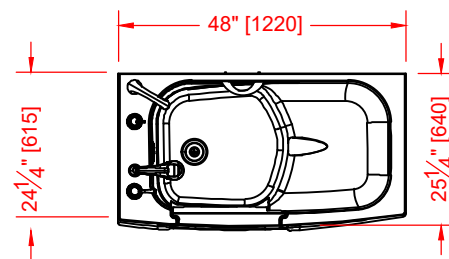
OPTIONAL ACCESSORIES:

INSTALLED AT FACTORY:

- Thermostatic mixing valve Roman tub filler package options: brush nickel or oil rubbed bronze
- Heated back & seat, CleanRane™ air spa, or water jet, upgrades
- End panels (order as left, right or both panels for free standing installations)



FRONT ELEVATION - SCALE: 3/8" = 1'-0"



TOP VIEW - SCALE 3/8" = 1'-0"

CODES:

- C.S.A. B45.5-11 / A.N.S.I. Z124-2011 Plastic Plumbing Fixtures
- C.S.A C22.2 #218.1-2013
- A.S.M.E. A112.19.7M-2012 Whirlpool Bathtub Appliances
- A.S.M.E. A112.19.8M-2012 Suction Fittings for use in Whirlpool Bathtubs
- Underwriters Laboratories 1795 Hydro Massage Bathtubs

ORDER ENTRY BY FAX 888.802.8186 OR EMAIL orders@healthathomeinc.com
Office 704.960.0148 or 980.900.2845 www.healthathomeinc.com
Products that enhance safety, vitality, & longevity at home.