

HAND SHOWER SLIDE ADAPTER SERIES

Application Use:

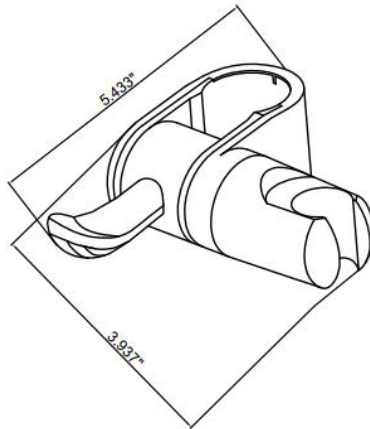


Features

- To fit 1.25" diameter grab bar
- ABS body
- Color: Chrome plated
Brushed nickel
Oil rubbed bronze
Matte black



Drawing



Specifications

HH-HS-SLIDE/GRABHOLDER-CP	HAND SHOWER SLIDE ADAPTER TO FIT 1.25" DIAMETER GRAB BAR, CP
HH-HS-SLIDE/GRABHOLDER-BN	HAND SHOWER SLIDE ADAPTER TO FIT 1.25" DIAMETER GRAB BAR, BN
HH-HS-SLIDE/GRABHOLDER-ORB	HAND SHOWER SLIDE ADAPTER TO FIT 1.25" DIAMETER GRAB BAR, ORB
HH-HS-SLIDE/GRABHOLDER-MB	HAND SHOWER SLIDE ADAPTER TO FIT 1.25" DIAMETER GRAB BAR, MB
Custom Finishes Available Upon Request	