



health at home, inc.
Enhancing Safety, Vitality & Longevity at Home

Bilanx bathing collection®

strike the balance Design Safety

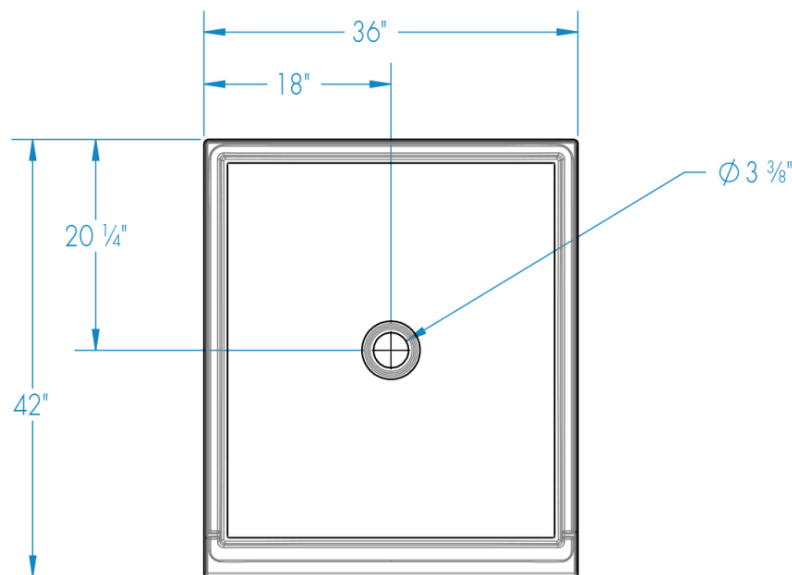
HH-SB3642-C-WHT

FEATURES

- ArmorCore™ slip resistant, textured bottom
- Left or right hand drain
- Low 3" threshold
- Integrated weep holes
- Sloped threshold ensures water containment
- Pre-leveled legs, no mortar bed required
- Sleek minimalist design
- AcrylX™ applied acrylic surface
- Lifetime limited warranty

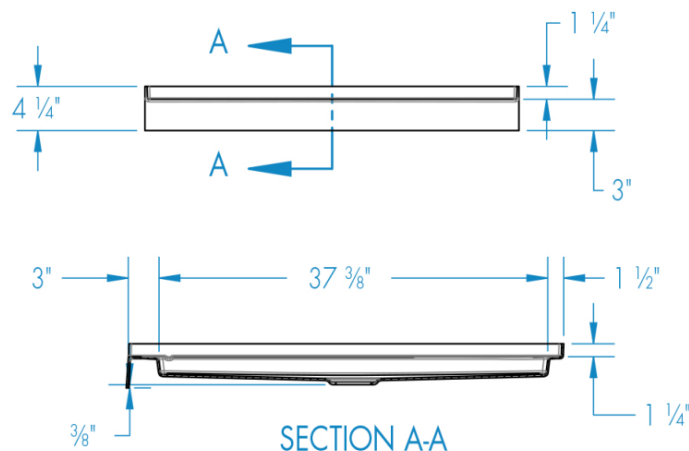
COLOR OPTIONS

White Standard



DIMENSIONS

| Specifications | inches |
|--|-------------|
| Width: Overall / Net | 36 |
| Depth: Overall / Net | 42 |
| Height: Overall / Net | 4 1/4 / 3 |
| Enclosure Opening | - |
| Skirt Height | 3 |
| Drain Rough-In (from Back Wall) | 20 1/4 |
| Drain Rough-In (from Side Wall) | 18 |
| Drain: Diameter / Clearance | 3 3/8 / 3/8 |



Dimensional Tolerance $\pm 3/8"$.

Dimensions needed for site preparation should be measured from the unit. Manufacturer assumes no responsibility for preparatory work.

ORDER ENTRY BY FAX 888.802.8186 OR EMAIL orders@healthathomeinc.com

Office 704.960.0148 or 980.900.2845 www.healthathomeinc.com

Products that enhance safety, vitality, & longevity at home.