

**Barrier Free Shower Pan**

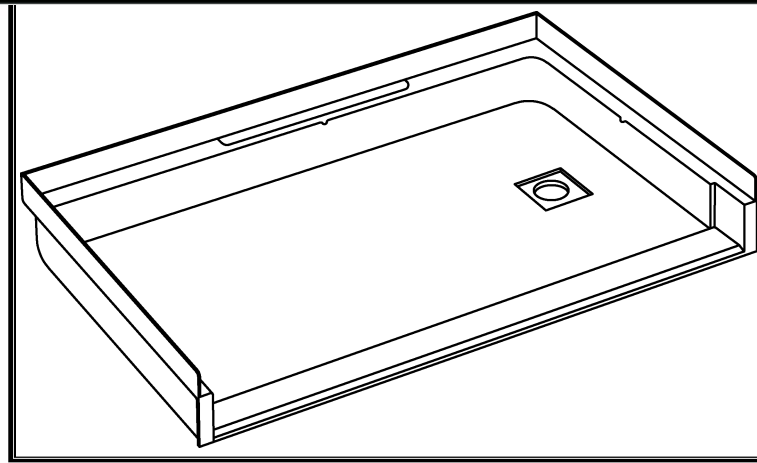
The showerpan shall be HH-RBXP6036-WH L-R right or left drain. Finished surface shall be of a sanitary-grade applied acrylic.

The unit has outside dimensions of: 60" x 35 7/8" x 6".

The shower pan shall meet CSA B45.5, IAPMO Z124 and UPC.

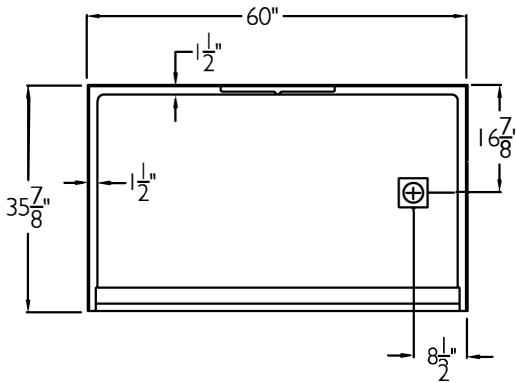
The enclosure shall be equipped with the following accessories:

- 1) Low entry 7/8" threshold,
- 2) Slip resistant surface on the floor,
- 3) Right or left hand drain location,
- 4) PVC caulkless drain with square stainless steel strainer plate,
- 5) Factory installed ArmorCore Easy Base.

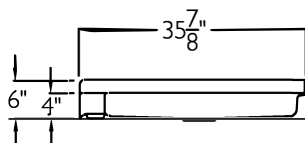


Framing Diagram

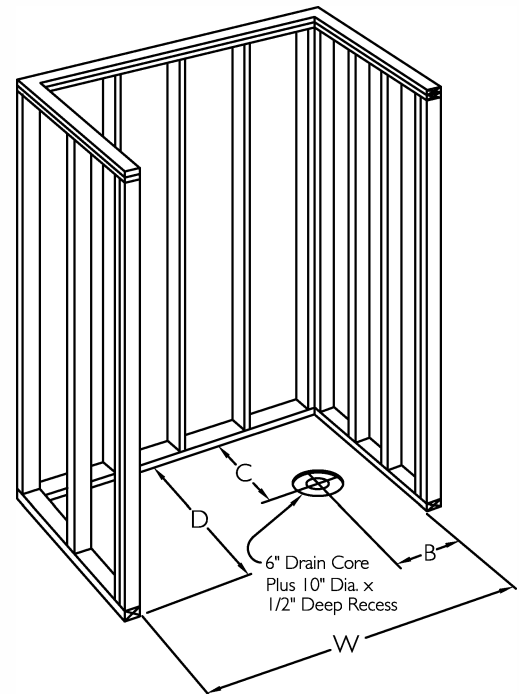
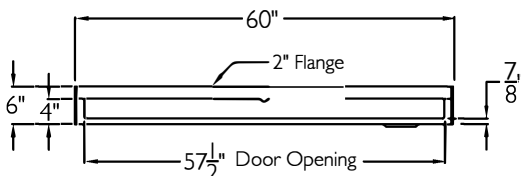
**TOP VIEW**



**SIDE VIEW**

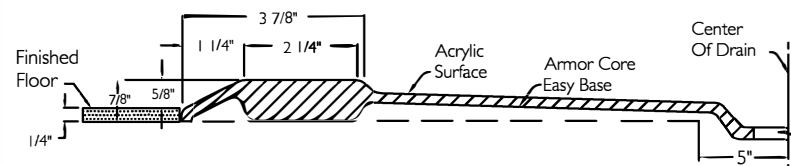


**FRONT VIEW**



W	B	C	D
60 1/4"	8 9/16"	16 7/8"	35 7/8"

**CROSS SECTION OF THRESHOLD**



ORDER ENTRY BY FAX 888.802.8186 OR EMAIL [orders@healthathomeinc.com](mailto:orders@healthathomeinc.com)

Office 704.960.0148 or 980.900.2845 [www.healthathomeinc.com](http://www.healthathomeinc.com)

*Products that enhance safety, vitality, & longevity at home.*