

SUBMITTAL DATA

5-Piece Sectional Shower Stall

The sectional shower shall be HH-RBX6032BFD(R/L)HWHT right or left drain. Finished surface shall be of a sanitary-grade AcrylX™ applied acrylic.

The unit has outside dimensions of: 60" x 33" x 78".

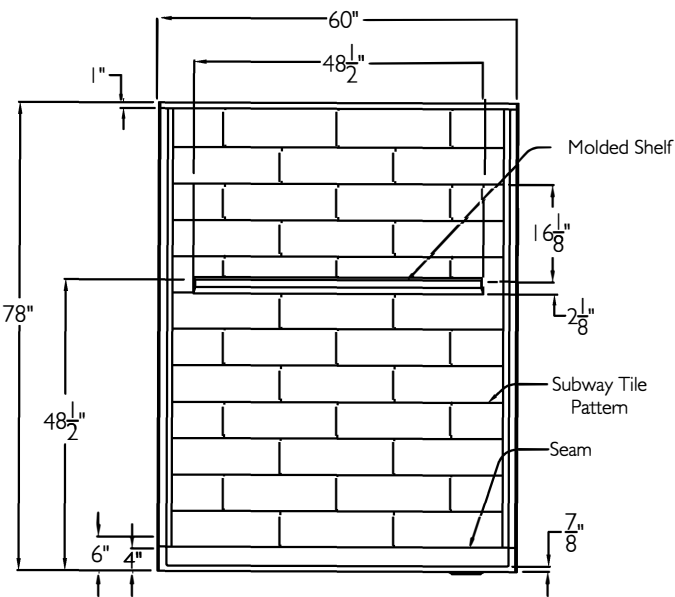
The five piece shower shall meet CSA B45.5, IAPMO Z124 and UPC.

The enclosure shall be equipped with the following accessories:

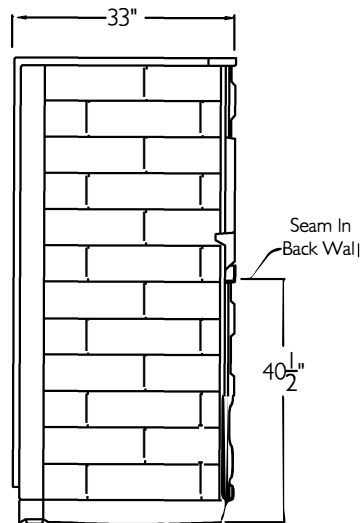
- 1) Five piece sectional design,
- 2) Molded shelf high on the back wall,
- 3) Right or left hand drain location,
- 4) Subway tile pattern on walls,
- 5) Full reinforced backing on walls,
- 6) ArmorCore Easy Base self sustaining bottom,



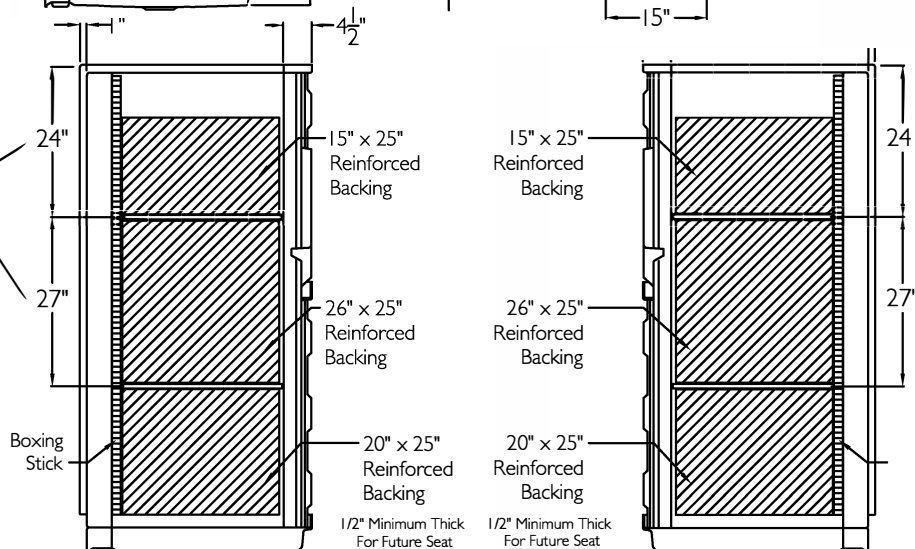
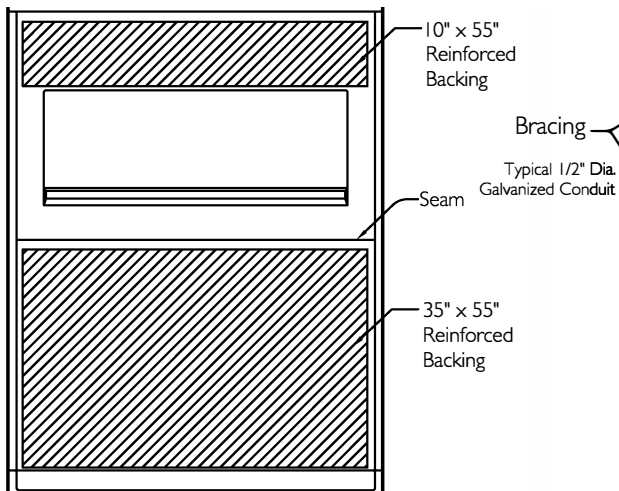
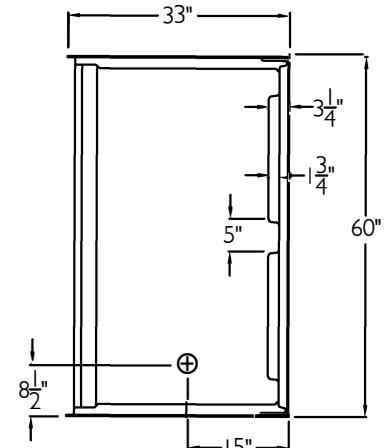
FRONT VIEW



SIDE VIEW



TOP VIEW



ORDER ENTRY BY FAX 888.802.8186 OR EMAIL orders@healthathomeinc.com

Office 704.960.0148 or 980.900.2845 www.healthathomeinc.com

Products that enhance safety, vitality, & longevity at home.

