

HH-HS WALL SUPPLY SERIES

Wall supply with vacuum breaker

Application Use:



Features

- For use with a hand shower and hose.
- Coordinates with showerheads, handshowers and showering .
- Easy installation using slip fit connection.
- Include check valve.

Material

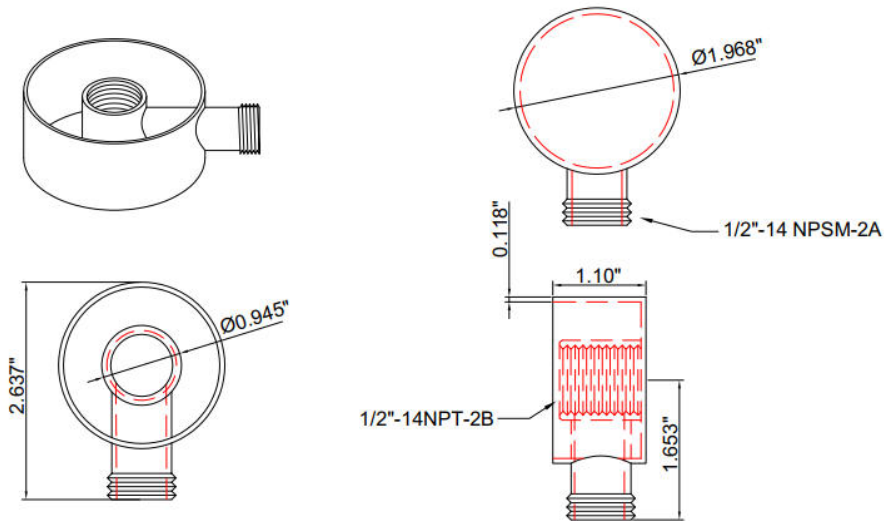
- Brass construction

Installation

- Wall-mount



Drawing



HH-HS WALL SUPPLY CP

WALL SUPPLY WITH PLASTIC VACUUM BREAKER-CP

HH-HS WALL SUPPLY BN

WALL SUPPLY WITH PLASTIC VACUUM BREAKER-BN

HH-HS WALL SUPPLY ORB

WALL SUPPLY WITH PLASTIC VACUUM BREAKER-ORB

HH-HS WALL SUPPLY MB

WALL SUPPLY WITH PLASTIC VACUUM BREAKER-MB

Health at Home, Inc.

Charlotte office 704.960.0148 or 980.900.2845

Fax 888.802.8186

Orders – orders@healthathomeinc.com Website: www.healthathomeinc.com