

ERGOSLIDEBAR

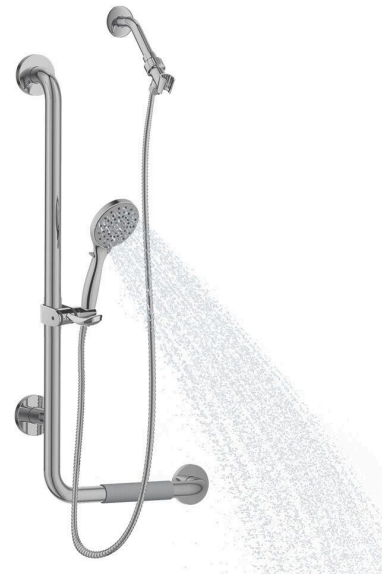
Model # HH-HS-4001-LH

GENERAL DESCRIPTION

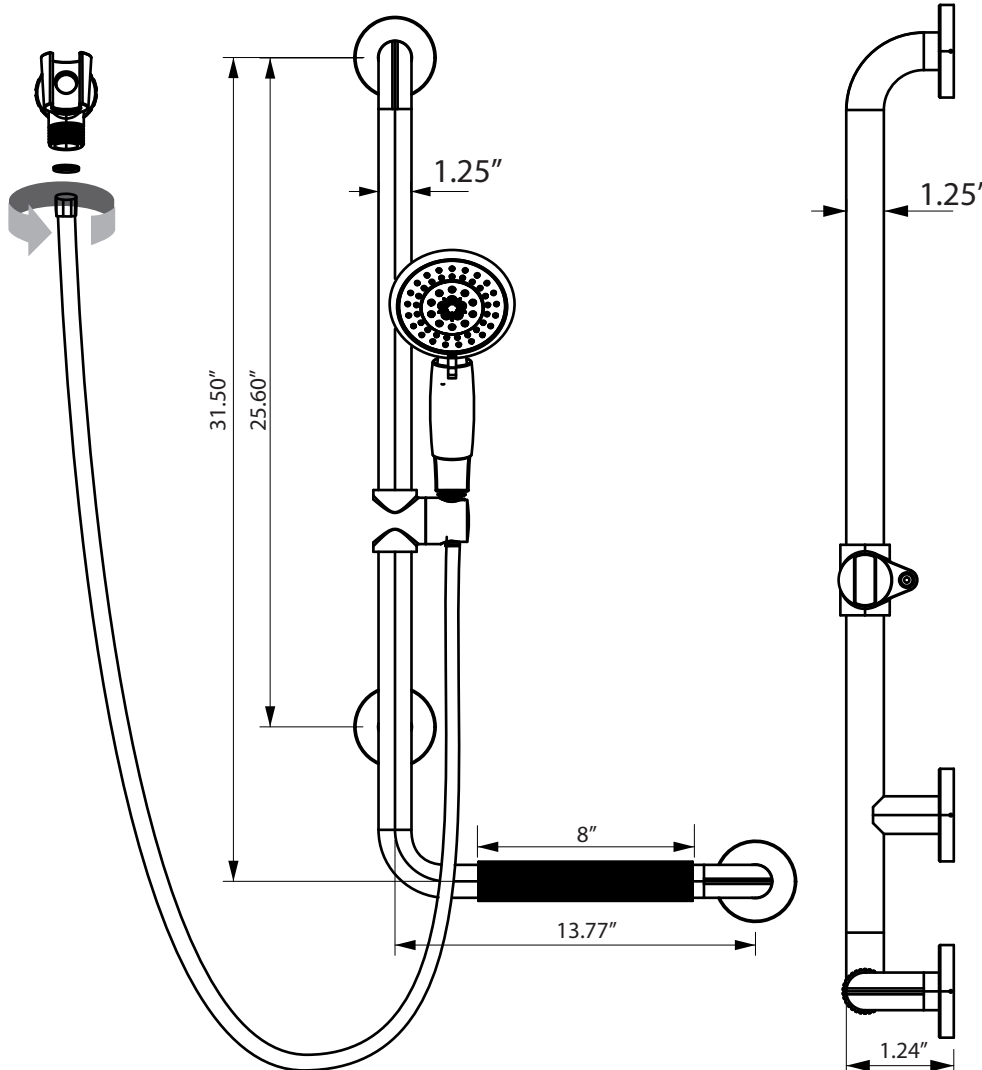
This Shower Slide/Grab Bar is made of Stainless Steel and built to exceed ADA standards. Install this item in your shower for added safety around the bathroom. It also comes with a 3 function hand shower for a complete shower experience.

PRODUCT FEATURES

- L-type stainless steel rail, diameter 32mm, grab and slide bar.
- Slider specifically designed to be used by people with limited mobility.
- Hand shower support installation with option for hand or thumb squeeze.
- All fixtures in chrome finish.
- Grab bar in polished stainless material.



****Shown in Left Hand
Also Available in Right Hand**



ORDER ENTRY BY FAX 888.802.8186 OR EMAIL orders@healthathomeinc.com

Measurements shown are for reference only

Office 704.960.0148 or 980.900.2845 www.healthathomeinc.com

Products that enhance safety, vitality, & longevity at home.