

This installation manual provides a visual guidance for the installation of a barrier free multi-piece showers.  
Please refer to the installation video for additional visual content related to the installation of your shower.

### RECEIVING REQUIREMENTS:

An adult must be present during the arrival of your unit to receive, inspect and note on the bill of lading any visual damage to the carton or crate that may have occurred during transit. (see images BF 1 & 2) Do not allow the driver to leave until this is done, failure to do so may limit or void your claim with the LTL carrier for repair or replacement.

### DOCUMENT CONDITION OF CRATE:

Photograph any suspicion of damage for your records and contact your sales representative immediately. (see image BF 3)

### INCLEMENT WEATHER:

In the event the unit cannot be adequately inspected on the spot due say inclement weather, we recommend signing the bill of lading with the following words, "Subject to further inspection". Failure to have this phrase legally releases the trucking company of all responsibility for concealed damage, as they close the bill permanently leaving you with no recourse.

### DRY ASSEMBLE:

Dry assemble your modular shower prior to moving into the bathroom space. This procedure can be performed on any clean, dry, and open space. (see image BF 4)

### SNAP PHOTO:

Take a picture of the unit now, the purpose and benefit will be covered in later step.

### WHY:

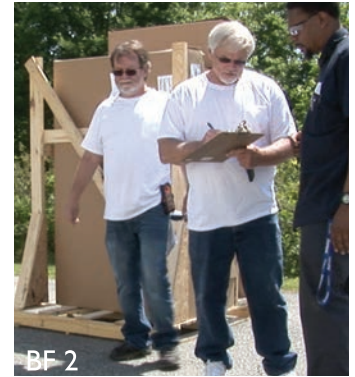
This is an important step for ensuring that:

- You have received the correct panels
- You have received the correct drain location
- The panels and pan are free from damage and defect
- And the panels align properly when assembled prior to installing in the framing pocket.

### CHECK ACCESSORIES:

Check all loose accessories to confirm you received what you ordered and inspect for any damage during transit. (see image BF 5)

Any defects, damage or misalignment should be photographed and reported immediately.



## CAUTION

It is a wise choice to delay demolition of the existing bathtub area until you're confident that your unit is the correct size, hand and condition.

## CAUTION

You will not want your customer to be without a working bathroom while waiting for a replacement.

## CAUTION

Remember, SLOW IS FAST.

### The Following Is A List Of The Required Tools:



Hammer	4 Foot Level
1/8" counter sink drill bit	2 Foot Level
Flat head screw driver	Bucket 5 gal
Utility Knife	Tape Measure
Plumb bob	Safety Glasses
Drill with Phillips or Square tool	Latex Gloves
Caulking Gun	

### The Following Is A List Of Materials Needed:

#8 or 10 SS Pan Head Wood Screws	Large Wiping Cloths
Card Board	Denatured Alcohol
Masking Tape	Goof off cleaner
Shims-wood or composite	Plumbers grease
1-Tube White or color matching bathroom Caulk	Plumber's putty
3-Tubes 100% Clear -Silicone Caulking	3- 3' lengths 1/2" PVC -plastic pipe (see video)



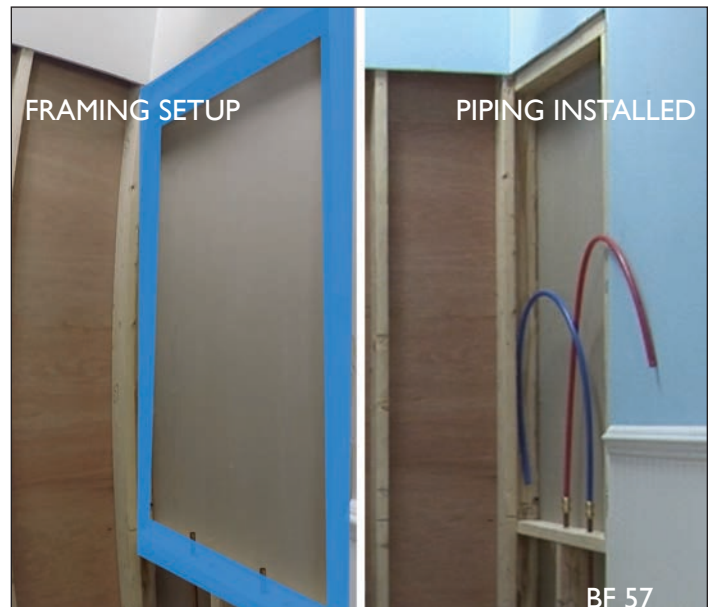
The Following Is A List Of “Quick Connect” Tools & Materials Recommended With Factory Provided Shower Valve Option



Standard 1/2" Close Coupling MIPT	Qty 2 - MIPT x 1/2" Push On Elbow	
Pex pipe 1/2" (Red, White, Blue)	Qty 1 - MIPT x 1/2" Push On Coupling	Shark Bite Brand Fitting Removal Tool
Shark Bite Brand Code Compliant	Qty 2 - 1/2' x 1/2" Push On Coupling	Pipe Thread Compound
	Qty 1 - Elbow Supply High/Low Eared	

**QUICK CONNECT FRAMING:**

For this option, the framing cove where the valve will be located must be prepared in advance by creating a window size frame to receive pex pipe in a looped pattern to prevent kinking and allow ease of connection from the valve to the water supplies. (see image BF 57)





### PREPARE FRAMING POCKET:

Check the framing pocket to insure it is sized properly with the dimensions provided on the Framing Diagrams page in your installation instructions. (see *image BF 9*) Next, check the pocket for square, (see *image BF 10*) plumb and level (see *image BF 11*) and make the necessary adjustments. Note it is more common than not that adjustments will need to be made.

Start by hanging a plumb bob from the framing beginning at the back wall, this is critical to your installation. (see *image BF 12*) In this demonstration, the wall was not plumb. A solution is to either shim the pan away from the wall (see *image BF 13*) or notch the stud. (see *image BF 14*) This is critical to a proper installation of the back wall panels. Slight variances will affect plumb walls and uneven grout lines.



**INSPECT SUBFLOOR:**

Inspect the subfloor for level and structural integrity. (see *image BF 15*) A solid, non-flexing subfloor is required. Strengthen and replace any weak or damaged subfloor materials.

**CLEAN POCKET AREA OF DEBRIS:**

Insure pocket is clean from all debris, even a small pebble can affect the draft to drain. (see *image BF 16*)

**DRY FIT PAN:**

Dry-fit your pan to ensure it fits in the frame properly. (see *image BF 17*) Level pan in both directions ensuring the bubble is perfectly centered. (see *image BF 18*) Like the foundation to a home, this is vital to the walls installing properly resulting in consistent grout lines.

**CHECK DRAFT TO DRAIN:**

Check draft to drain. Temporarily fasten to wall with one screw, shimming if necessary. (see *image BF 19*) Draw a line on the sub floor indicating the front point of the threshold and on the stud above the flange. (see *image BF 20*) Remove pan, now it is time to install the drain body.



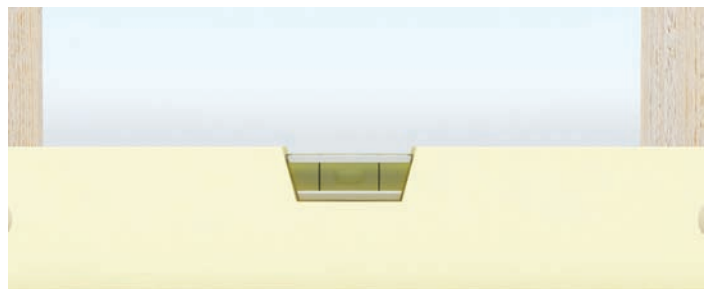
BF 15



BF 16



BF 17



BF 18



BF 19



BF 20



**DRAIN INSTALLATION:**

Remove the inside neoprene gasket and compression ring from the drain and set aside for a later step. (see image BF 21) Install the 2" no caulk shower drain body on the pan with plumbers putty. (see images BF 22 & 23) Tighten the nut until snug and excess putty squeezes out around the flange. Remove excess.

**PREPARE DRAIN PIPE:**

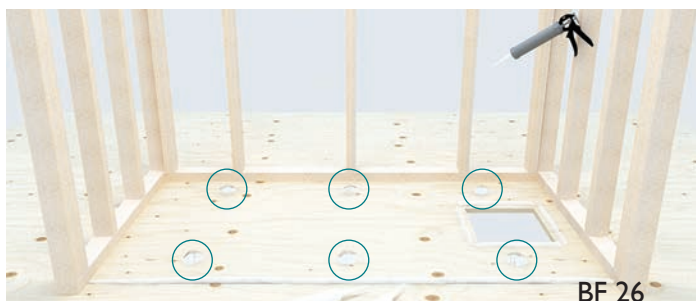
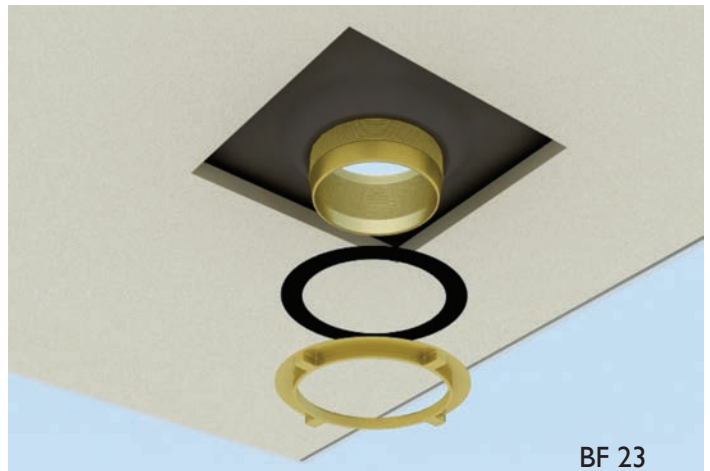
Prepare drain pipe below the floor to meet local plumbing codes.

**DRAIN CORE PREPARATION:**

The details for the drain core area can be found in the instructions on the Framing Diagrams page. A 10 inch by 10 inch opening around the drain is required to receive the shower pan and prevent the drain area from being pushed up out of its engineered position. Failure to do so will cause puddling in your shower: (see image BF 24) Stub out and extend the drainpipe 2 to 4 inches above the floor. (see image BF 25) This will be trimmed at a later step.

**APPLY ADHESIVE TO SUBFLOOR:**

The pan is ready to be adhered to the subfloor. Use 3 tubes of 100% clear silicone adhesive in a 4" square pattern as shown. (see image BF 26) The adhesive should be applied at a height that ensures contact with the pan as its set in place, which means each bead of silicone should be  $\frac{3}{4}$  of an inch or greater.



**INSTALL PAN:**

Place pan in pocket positioning to previously marked lines. (see image BF 27) Secure the pan to all available studs shimming where necessary counter sinking #8 stainless steel screws. (see image BF 28) This allows the screw head to be flush with the finished flange so as to not interfere with the finished wall installation. Check for level and draft to drain one final time. (see image BF 29) This will be the last opportunity to ensure a perfectly level pan that has draft to the drain before installing the walls.



**TIP:**

If floors are out of level more than 3/16 of an inch, you will need to fill the void using a rapid modified thin set that will ensure your base has solid non-flexing support.

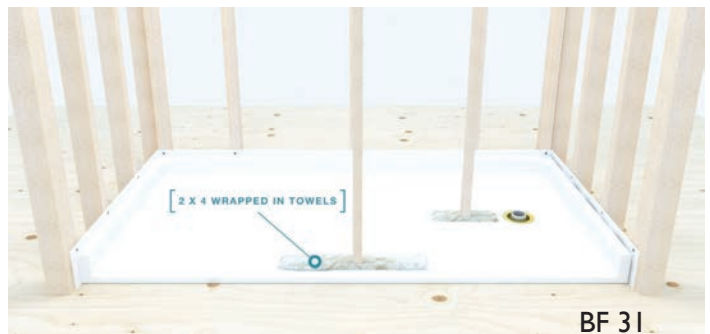
**BRACE PAN TO FLOOR:**

While the adhesive cures the pan needs to be secured to the floor using one of the following two methods (see image BF 30)

Bracing is the preferred method as it has demonstrated over time to provide the best results.

Brace the unit as close to the drain as possible as shown. (see image BF 31)

After bracing, check that there is draft toward the drain. (see image BF 32)



A properly braced threshold will result in flush contact to the subfloor along the entire threshold. (see image BF 33)

Leave braces intact for 4 hours. (see image BF 34)

After 4 hours, remove the braces and check draft to drain one final time.

**ALTERNATE BRACING METHOD:**

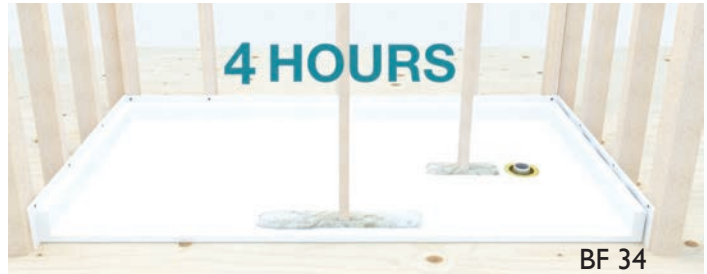
When bracing is not possible, an alternative method is to weight down the pan with 5 gallon buckets filled with water as shown. (see images BF 35) Again, after 4 hours, remove the weights and check draft to drain one final time.

**COMPLETE DRAIN CONNECTION:**

Cut the drain pipe even with the top of the rubber gasket using an inside pipe cutting tool (see image BF 36) Using plumbers grease, lubricate the inside of the rubber gasket and slide over the drain pipe with beveled edge facing up. (see image BF 37) Push down until it seats itself. Then screw compression ring into place until tight. If there is positive draft, you may now tighten the compression nut. (see image BF 38) then snap the grid drain into place. (see image BF 39)



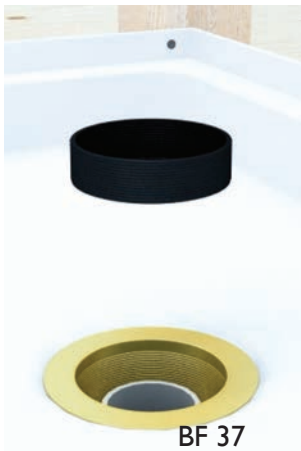
BF 33



BF 34



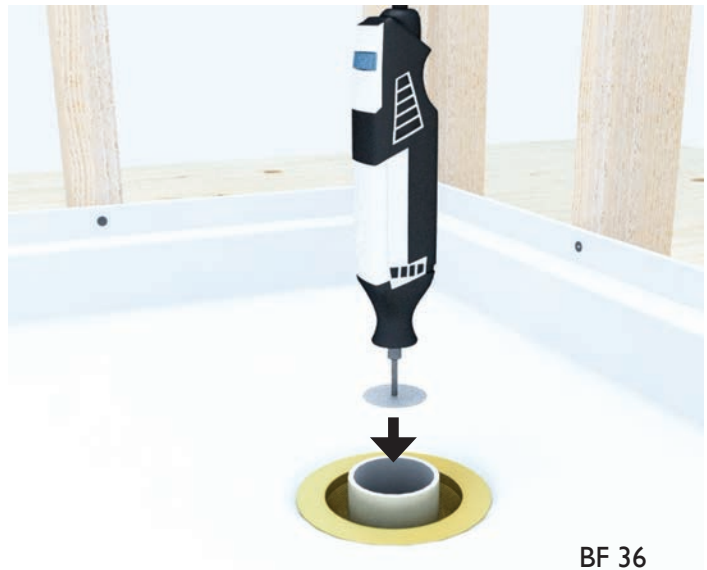
BF 35



BF 37



BF 38



BF 36



BF 39



**APPLY PROTECTION TO FLOOR:**

Place protection on the floor to prevent scratches and dings to the finish while completing the assembly process. The protection can be cut from the cardboard packaging as the example shown here. (see *image BF 40*)

**PIN & SLOT:**

Your shower features a pin and slot system that enables you to install all panels from the front finished side without requiring rear access.

**CAULK INTERIOR SEAMS BEFORE SETTING WALLS:**

Clear caulk back wall pan ledge encircling all pins. (see *image BF 41*)

**SET BACK WALLS:**

Set the lower back panel into place. Check for level. (see *image BF 42*) Secure to studs with screws, shimming or notching where necessary. (see *image BF 43*) Repeat process for upper back panel. (see *image BF 44, 45, 46*)



BF 40



BF 41



BF 42



BF 43



BF 44



BF 45



BF 46

Clear caulk pan ledge and vertical back wall seam of the panel opposite the valve wall. (see image BF 47)

**INSTALL END WALL:**

Set panel on ledge and slide backward into place. This may require force using a wood block and hammer as shown. (see image BF 48) Check for level. (see image BF 49)

**REFER TO PHOTOS:**

Before screwing flange to studs, inspect the gap seams in the corners and on the base. The gaps should match the picture taken in the dry-fit procedure. If there is a larger gap, this means the base is not level or the back wall is not square and plumb. Now is the time to correct. Once corrected secure to studs using shims where necessary. (see image BF 50) Using very soapy water, wipe away any excess adhesive that may have squeezed out.

**STANDARD VALVE INSTALLATION:**

Refer to valve manufacturer's instructions for conventional sweat installations. Repeat side wall installation above.

**QUICK CONNECT PROCEDURE:**

For valve installations with pex connections, find the desired location of your valve and apply protective masking tape over the area to be cut. (see image BF 51)



**TIP:**

Each wall panel has steel rod supports around the perimeter. Be sure to check that where you are about to drill does not interfere with one of these rods. (see image BF 52).



BF 47



BF 48



BF 49



BF 51



BF 52



BF 50



**VALVE INSTALLATION:**

Mark the center of your valve and drill a hole in the diameter listed in your valve instructions then drill a 1" hole for the supply outlet. (see images BF 53 & 54) Mount the valve directly to the panel by connecting the front trim plate to the valve body using the mounting screws provided by the valve manufacturer. (see image BF 55) Next, mount the supply outlet to the shark-bite-eared-elbow. (see image BF 56)

**FRAMING COVE PREPARED IN ADVANCE:**

The framing cove must be prepared in advance, creating a window size frame to receive pex pipe in a looped pattern to prevent kinking and allow ease of connection from the valve to the water supplies. (see image BF 57)

**CONNECT:**

Connect the hot and cold water pex supply lines using pex or shark-bite fittings. (see image BF 58) Notice the installers are using 90 degree fittings which work best in this application. (see image BF 59) Next, connect the shower head supply line to the elbow outlet.



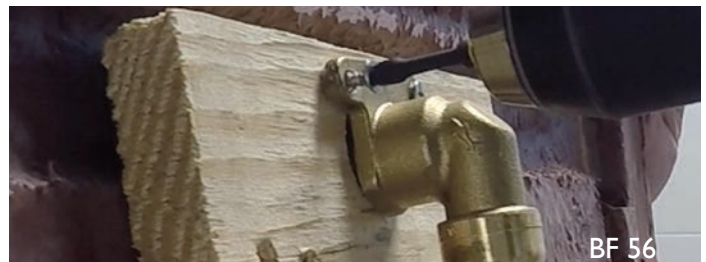
BF 53



BF 54



BF 55



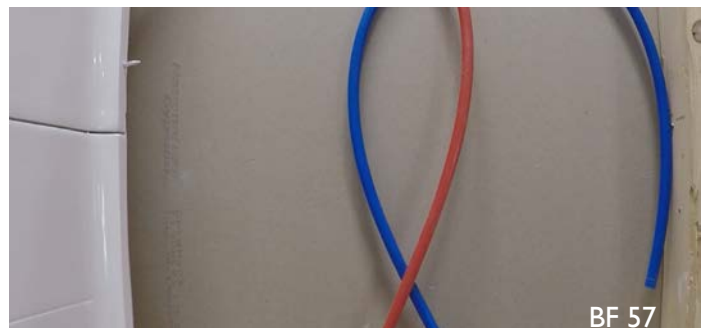
BF 56



BF 58



BF 59



BF 57



**TEST FOR LEAKS:**

While the wall is resting on the floor and fully connected, now is the time to turn the water back on and test for leaks. (see image BF 60)

**FINISH CAULKING:**

Caulk all seams with matching color caulk. (see image BF 61) Set the panel on ledge and slide backward into place. (see image BF 62) This may require force using a wood block and hammer as shown. (see image BF 63) Check for level and secure to studs using shims where necessary. (see image BF 64)

Your shower is fully reinforced and ready to receive surface mount accessories now or anytime in the future.



**TIP:**

It is highly recommended that the client be involved in identifying the ideal placement of accessories according to their needs.

**ACCESSORY INSTALLATION:**

Always mark, drill and caulk in a circular pattern around pilot holes for all accessories. (see images BF 65, 66, 67)



**FINISH CAULK:**

The unit is designed to allow a 1/8" gap at the seams. Caulk all seams as well as the front edge of the threshold with color matching caulk. (see images BF 68, 69, 70) Do not use your shower until caulk is cured. See caulk instructions for cure time. A premium caulk is recommended.

**OPTIONAL FLANGE TRIM AVAILABLE:**

For fast 2 day installations save time and money by ordering a 3" flange trim molding kit (White only) which is an available option that transitions the drywall to the shower covering the gap. (see image BF 71) This allows you to avoid paint and patching. During the removal of your existing tub or shower, it is recommended that you cut the wall board away approximately 1" beyond the perimeter or outside edge of the nailing flange of your shower unit. (see image BF 72) This step will minimize the amount of drywall patching required.

**RECOMMENDED WATER STOP ACCESSORIES:**

A collapsible water retainer and weighted shower curtain are recommended and available for purchase. When installed properly and paired together, they provide an effective and safe solution for keeping water in your barrier free shower during use. (see images BF 73 & 74) Please note that it is important that the curtain be hung at a height that allows it to make contact with the floor. Ask your sales representative for all water splash & accessory options.

*Congratulations, you have successfully installed your barrier free shower providing years of safety and independence.*



BF 68



BF 69



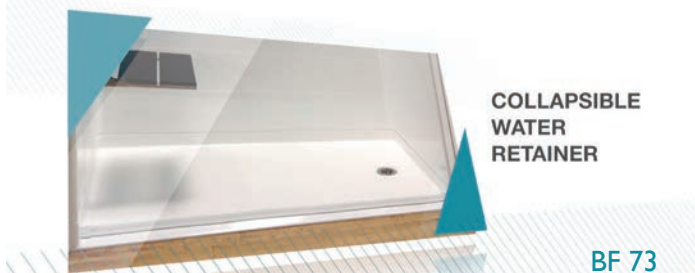
BF 70



BF 71



BF 72



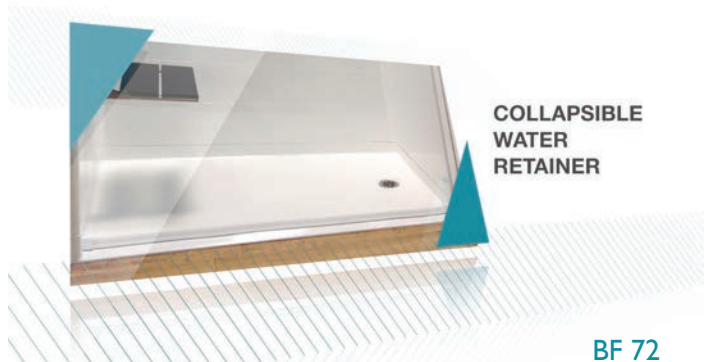
**COLLAPSIBLE WATER RETAINER**

BF 73



**WEIGHTED SHOWER CURTAIN**

BF 74



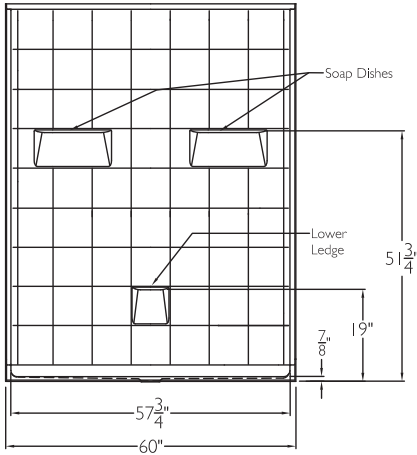
**COLLAPSIBLE WATER RETAINER**

BF 72

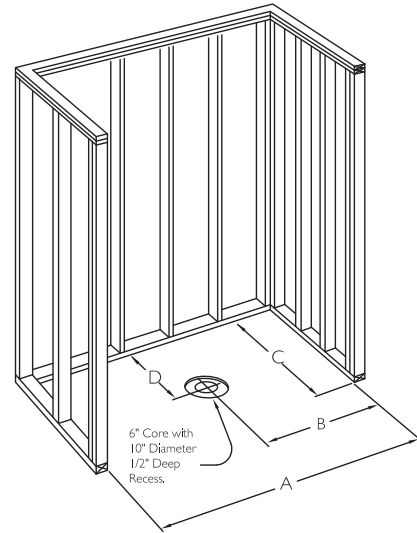
Model No. 4836BF

Left Handed Unit

FRONT VIEW



Framing Diagram

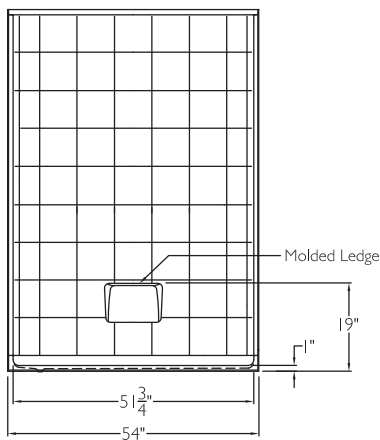


A	B	C	D
60 1/4"	30 1/8"	37"	18"

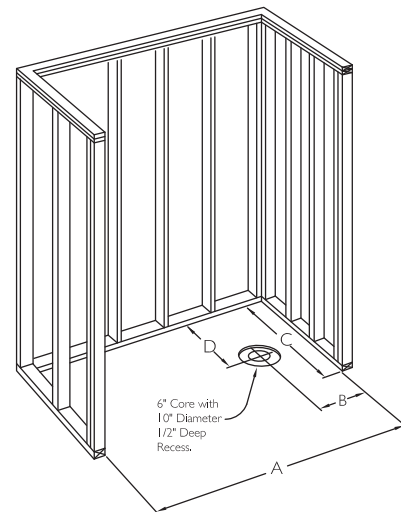
Model No. 5430BF

Left Handed Unit

FRONT VIEW



Framing Diagram



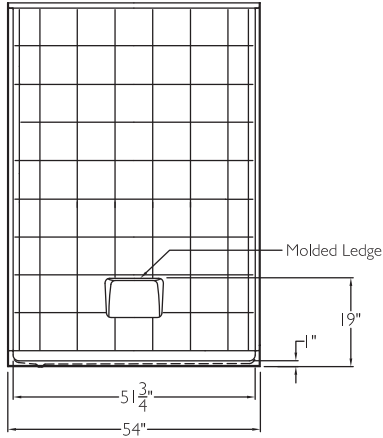
A	B	C	D
54 1/4"	8 9/16"	31"	15"



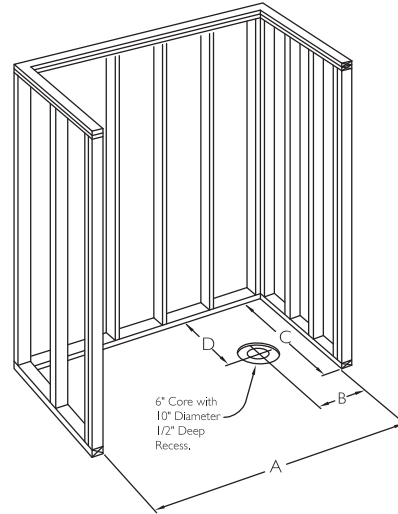
Model No. 5436BF

Left Handed Unit

FRONT VIEW



Framing Diagram

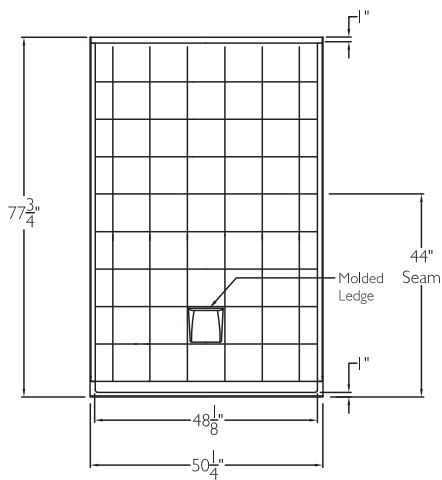


A	B	C	D
54 1/4"	8 9/16"	36 7/8"	17 5/8"

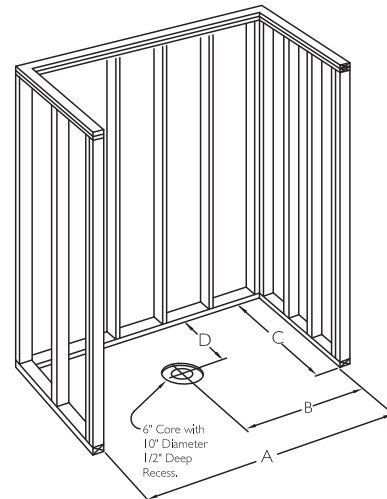
Model No. 5050BF

Left Handed Unit

FRONT VIEW



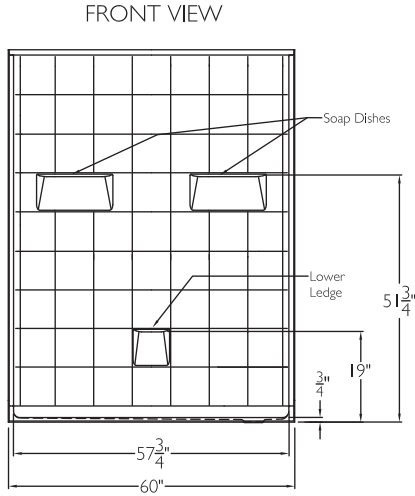
Framing Diagram



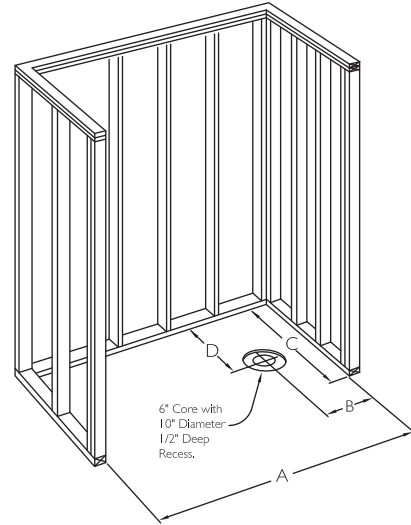
A	B	C	D
50 3/4"	25 3/8"	50 1/8"	25"

Model No. 6030BF

Left Handed Unit



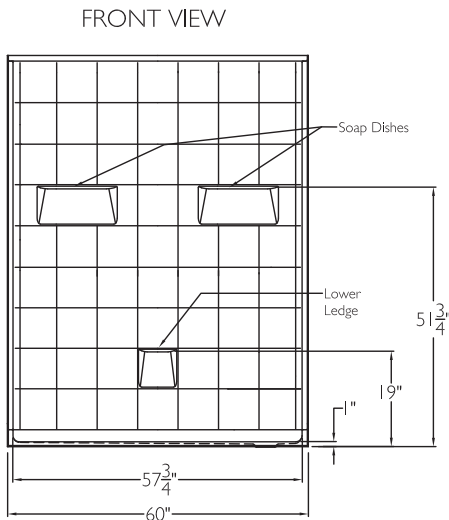
Framing Diagram



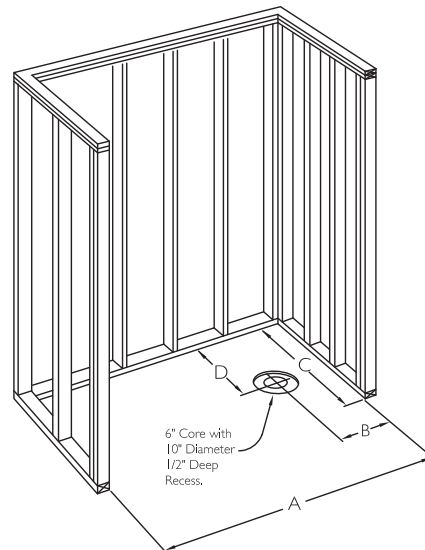
A	B	C	D
60 1/4"	8 9/16"	31"	15"

Model No. 6033BF

Left Handed Unit



Framing Diagram

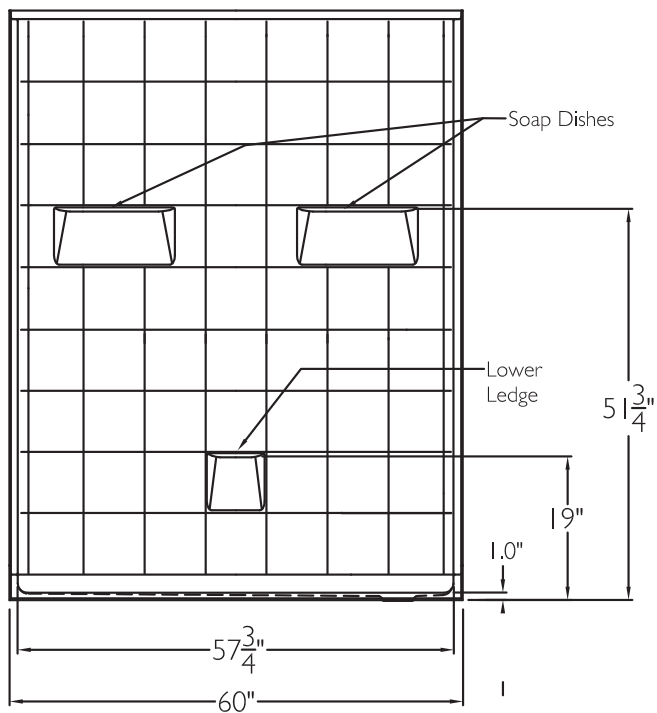


A	B	C	D
60 1/4"	8 9/16"	33 3/8"	15 1/4"

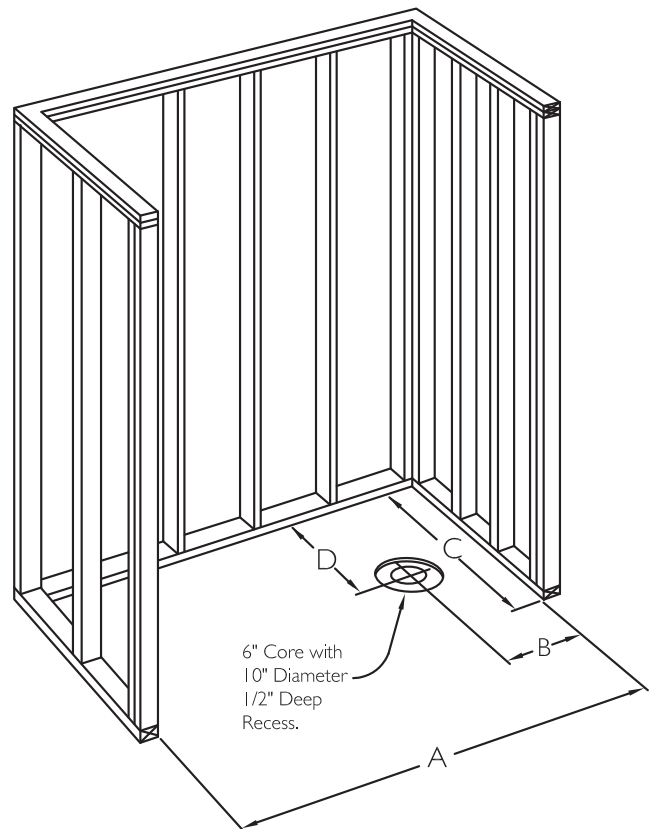
Model No. 6036BF

Left Handed Unit

FRONT VIEW



Framing Diagram



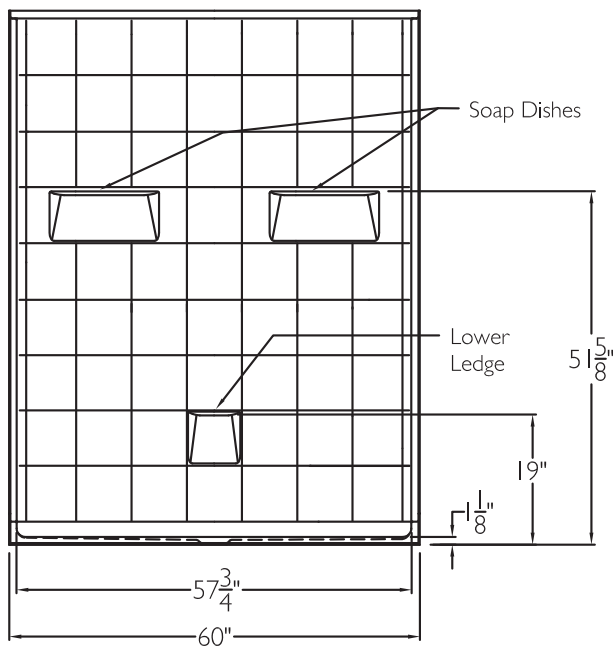
A	B	C	D
60 1/4"	8 9/16"	37"	18"



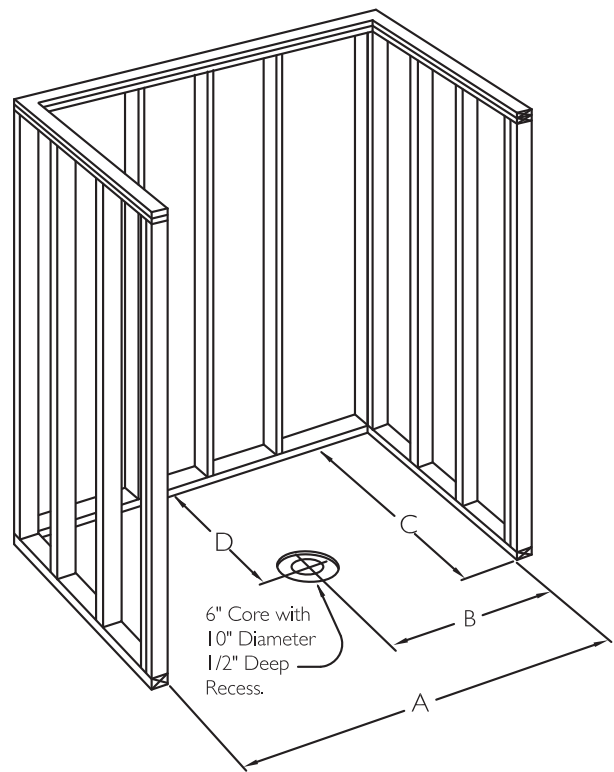
Model No. 6048BF

Left Handed Unit

FRONT VIEW



Framing Diagram

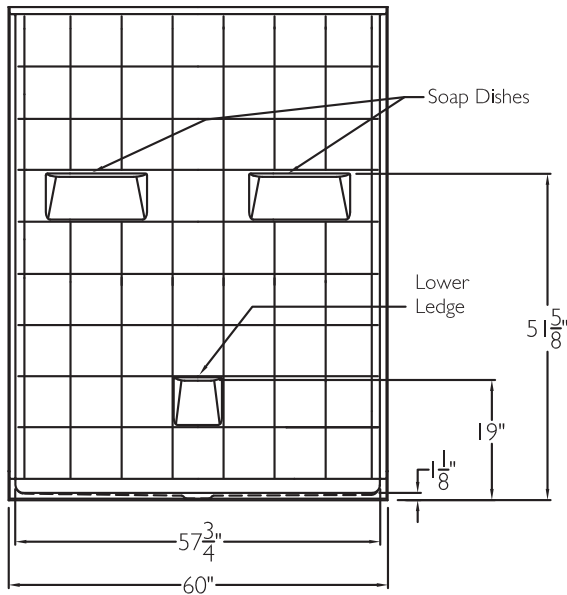


A	B	C	D
60 1/4"	30 1/8"	49"	24"

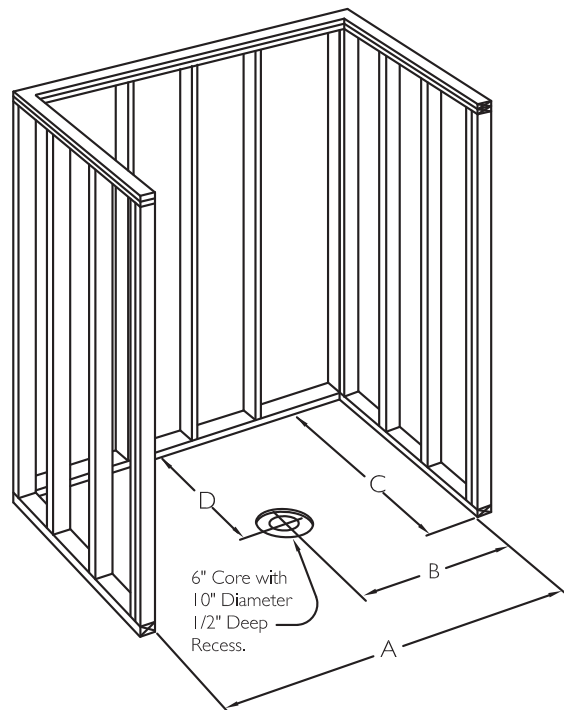
Model No. 6060BF DE

Left Handed Unit

FRONT VIEW



Framing Diagram



A	B	C	D
60 1/4"	30 1/8"	61"	30"

