



health at home, inc.

Enhancing Safety, Vitality & Longevity at Home

Cascade 3000

Hygiene Redefined

Elongated White:

HH-C3000LR-EW

HH-C3000SR-EW

Round White:

HH-C3000LR-RW

HH-C3000SR-RW

Elongated Beige:

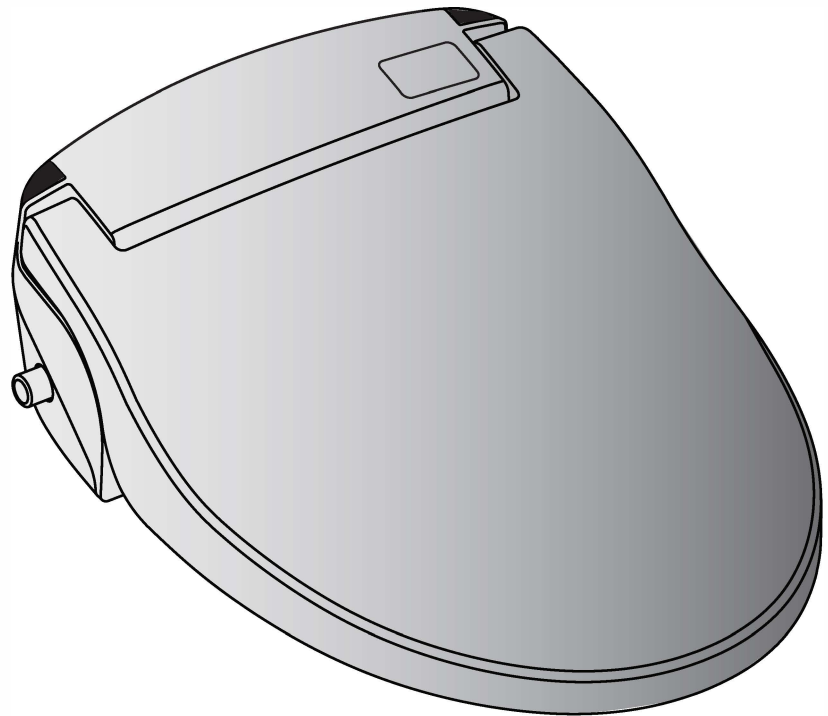
HH-C3000LR-EB

HH-C3000SR-EB

Round Beige:

HH-C3000LR-RB

HH-C3000SR-RB



Read all operating instructions before installation and use.

External appearance and specifications are subject to change without notice due to product improvements.

WARNINGS

READ ALL INSTRUCTIONS BEFORE USING

Always:

- Connect this product to a properly grounded outlet only (GFI recommended)
- Use 120 volt power on 15+ amp circuit (max pull 13 amp)
- Return the product to a service center for examination if repair is needed
- Keep the power cord away from heated surfaces
- Keep the air openings free of lint, hair and any other debris
- Keep the unit away from fires or inflammable substances
- Properly connect the power cord to an electrical outlet rated for the voltage of the unit
- Replace power cord or plug if damaged (repair done by authorized service center only)
- Disconnect the power plug before removing the unit from the toilet bowl
- Disconnect the power plug if not in use for long period of time
- Use this product only as intended as described in this manual
- Provide close supervision when this product is used by children

Do not:

- Use while bathing
- Use any attachments unless recommended by the manufacturer
- Use if the cord or plug is damaged
- Use if it is not working properly
- Use if it has been dropped, damaged or immersed in water
- Use steam cleaner on unit
- Use outdoors or operate where aerosol(spray) products are being used
- Use where oxygen is being administered
- Place or drop into water or other liquid
- Place product where it can fall or be pulled into a tub or sink
- Place heavy objects on the unit
- Block the air openings of the product or place it on a soft surface
- Reach for a product that has fallen into water. Instead, unplug immediately
- Use while sleeping or drowsy
- Drop or insert any object into any opening or hose
- Dismantle, repair, or alter the unit
- Pour or spray water onto the unit
- Touch the power plug with wet hands
- Connect to industrial water supplies
- Connect to a power socket being used by other electrical appliances
- Twist or pull the connection hoses
- Slam or lean on the lid
- Step on the unit

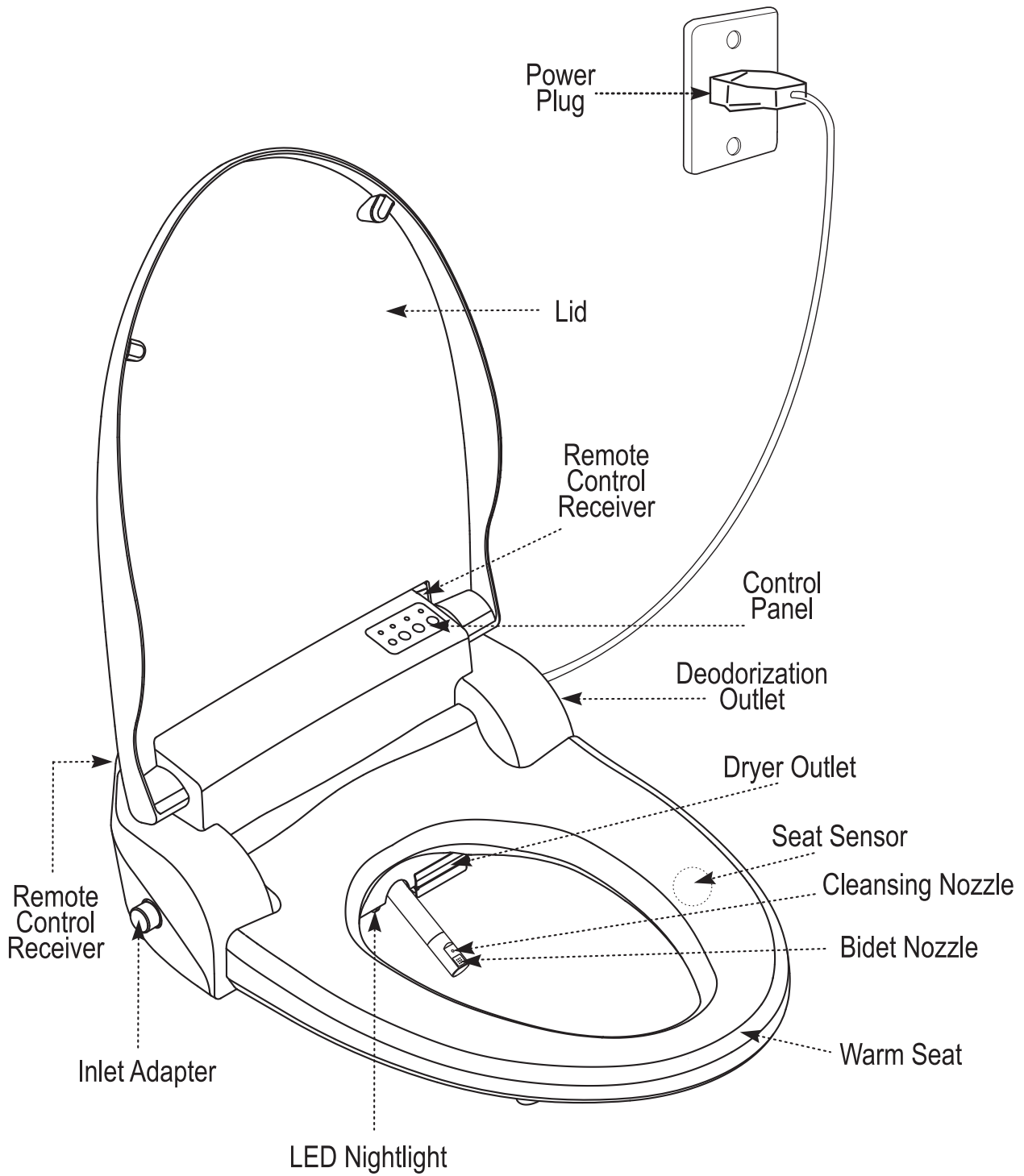
Caution:

Any servicing should be performed by an authorized service representative.
Prolonged exposure to heated seat may cause low temperature burns.

Table of Contents

Parts	-----	4 - 5
Installation	-----	6 - 8
Trial Operation	-----	9
LR Basic Operation	-----	10
SR Basic Operation	-----	11
Additional Functions	-----	12-14
Water Temperature		12
Seat Temperature		12
Dry Temperature		12
Deodorization		12
Water Pressure		13
Nozzle Position		13
Power On/Off		13
LED Nightlight		14
Eco Mode		14
Max Eco Mode		14
Maintenance	-----	15-17
Cleaning Water Strainer		15
Cleaning Nozzle		15
Cleaning Air Strainer		16
External Cleaning		16
Changing Batteries		17
Detach Instructions	-----	18
Troubleshooting	-----	19
Product Specifications	-----	20
Regulations	-----	21
Warranty	-----	22
Feedback	-----	23

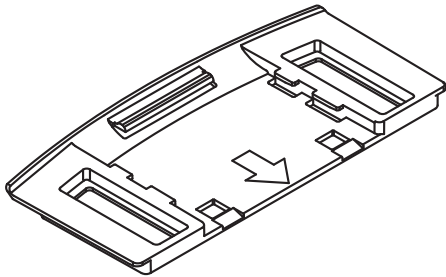
Parts Identification (Main Unit)



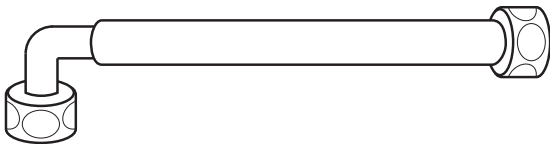
4 Parts

Parts Identification (*Hardware*)

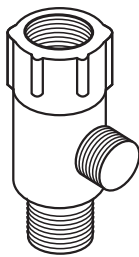
Catch Plate



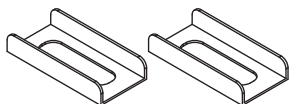
PVC Flex Hose (for Main Unit)



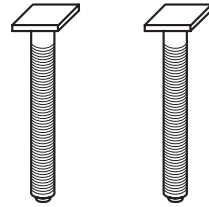
T-valve



Brackets



For installation with top tighten bolts



Fixation Bolts



Rubber Packings

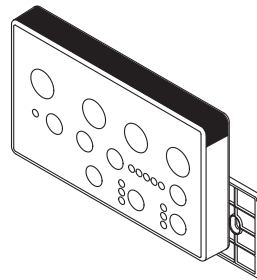


Washers

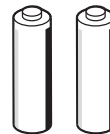


Fixation Nuts

Remote Control & Holder



Batteries



Installation

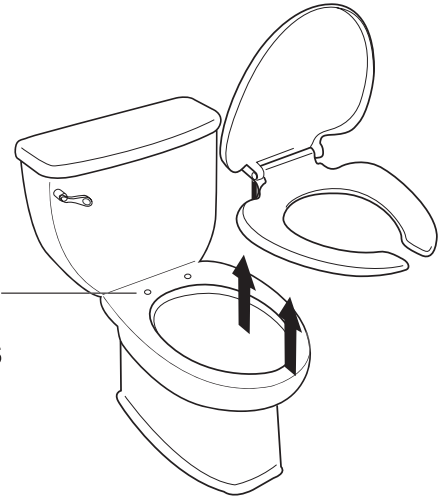
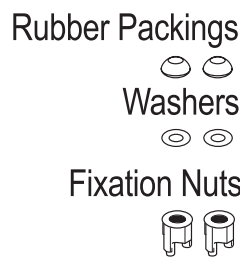
Caution Before Installation

- Check whether the size and shape of the toilet seat are suitable for installation.
- Check that all the accessory parts are in place.
- Do not connect power until installation is finalized.

1. Remove Existing Toilet Seat

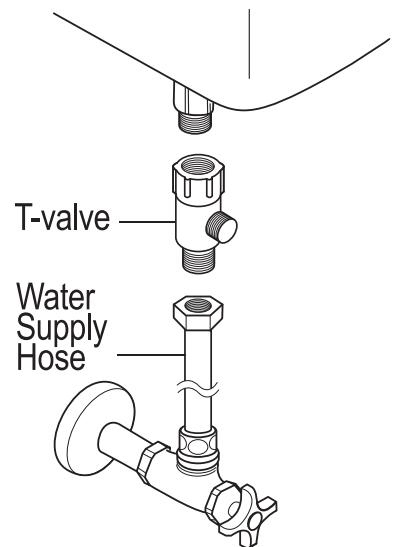
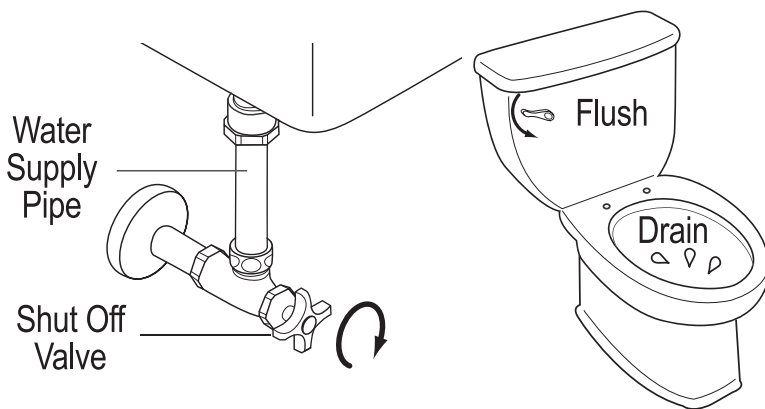
Remove existing toilet seat and lid by unfastening Fixation Nuts underneath.

Keep the detached seat, lid and nuts for later use.



2. Drain Toilet Tank

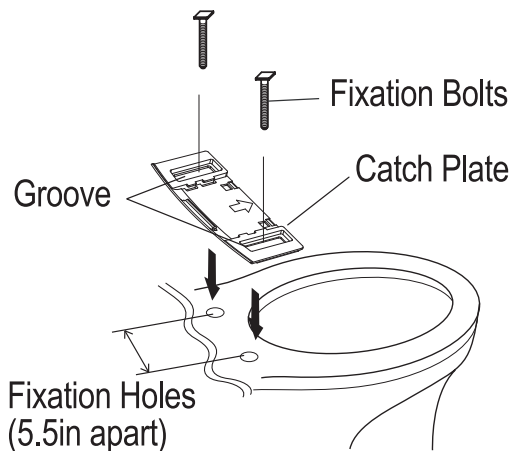
Drain toilet water tank completely after turning off the water supply.



3. Install T-valve

Detach the Water Supply Hose from the toilet water tank, then install the T-valve.

- Do not use Teflon (plumbers) tape, as the vinyl fittings seal best without it.
- If your toilet uses a rigid pipe, you will need to purchase and install a separate flexible hose to replace the rigid pipe then install the T-valve.



4. Place Catch Plate

Place the groove of the Catch Plate on the Fixation Holes of the toilet.

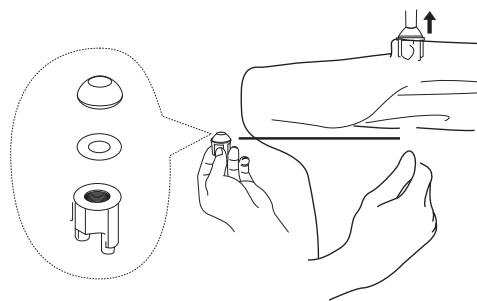
Catch Plate can only be installed on toilets with Fixation Holes 5.5in (140mm) apart (this is the standard distance).

5. Insert Bolts

Insert the Fixation Bolts into the holes of the toilet.

6. Fasten Bolts

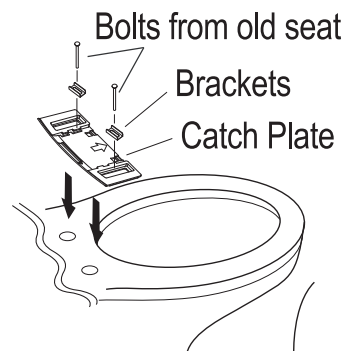
Fix the Catch Plate tightly by fastening the Fixation Bolts with Rubber Packings, Washers and Fixation Nuts.



For toilets with top tighten bolts

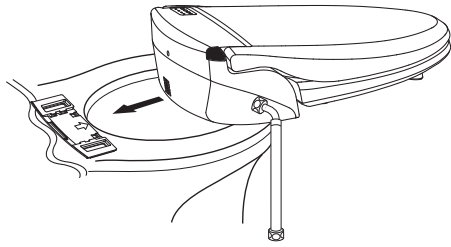
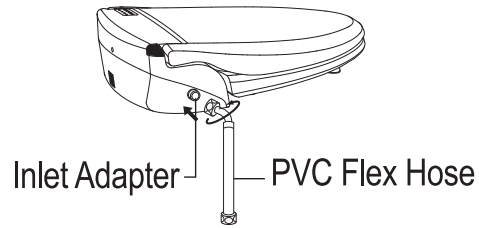
Use Brackets included in the package and the Mounting Bolts of the old toilet seat.

4. Place the groove of the Catch Plate on the Fixation Holes of the toilet.
5. Set the Brackets in place on the Catch Plate.
6. Fasten the Catch Plate with bolts from the old toilet seat.



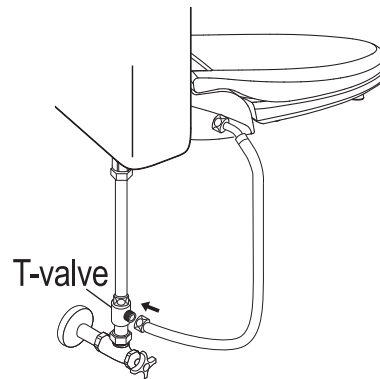
7. Connect Hose to Unit

Connect the PVC Flex Hose to the unit Inlet Adapter.



8. Slide Seat in Place

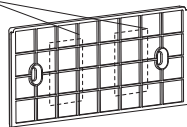
Mount the unit by sliding it into the Catch Plate grooves.



9. Connect to T-valve

Connect the PVC Flex Hose to the T-valve.

Double Stick Tape

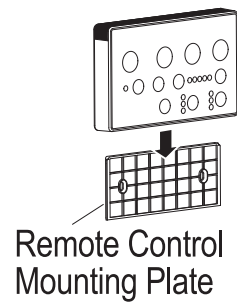
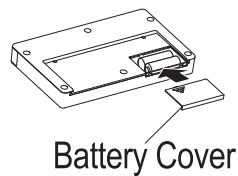
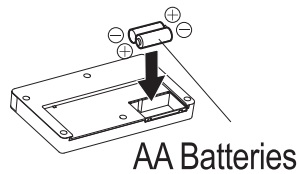
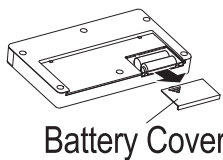


10. Install Mounting Plate

Attach the Remote Control Mounting Plate to the wall with double stick tape.

11. Install Remote Control

Insert batteries as shown in the illustration below and place the remote control into the Remote Control Mounting Plate.



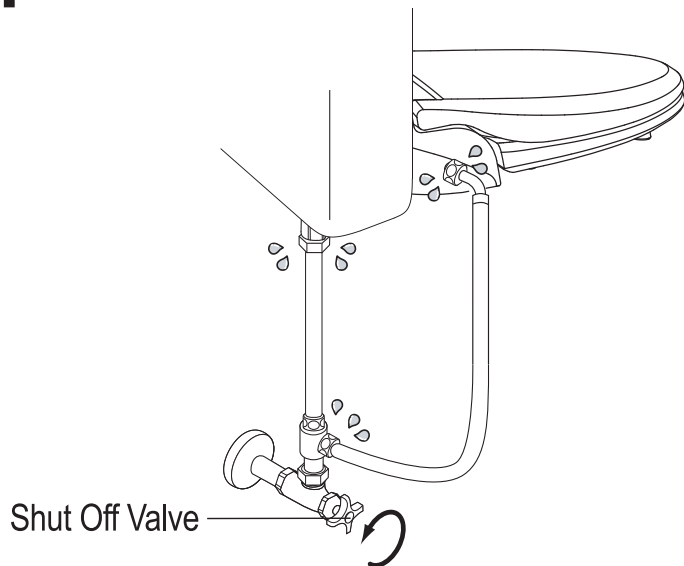
Trial Operation

1. Turn on Water

Open the Shut Off Valve.

2. Check for Leaks

Check for any water leakage from the hose or connections.



3. Plug in Power Cord

Connect plug to wall outlet. Use a GFI (Ground Fault Interrupter) outlet only.

If the power indication light does not turn on after the power plug is connected, press any button.

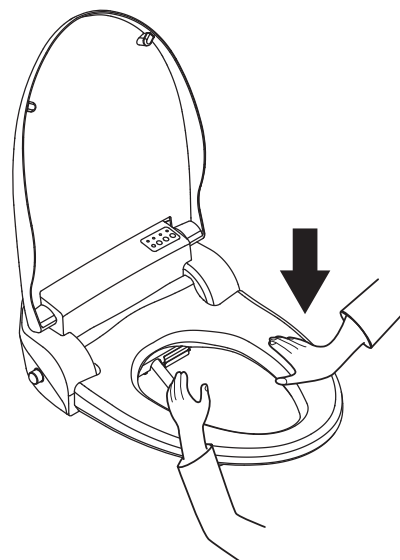
Warning: Do not move the unit after it is connected to power.

4. Test Operation

Place hand or wet cloth on seat sensor, then press either "REAR" or "FRONT".

Hold other hand above nozzle to check water flow.

Press the "STOP" button on the control and remove cloth.



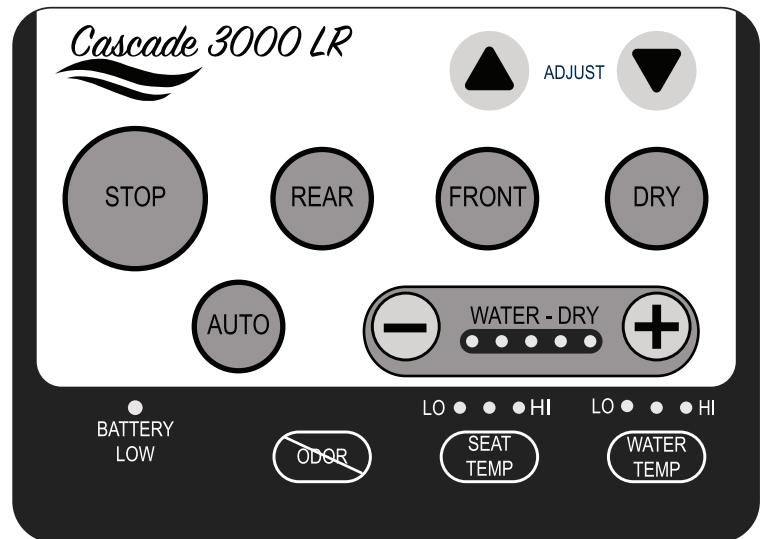
Basic Operation (LR Edition)

ONE BUTTON OPERATION

AUTO (Green button)

Press the "AUTO" button to start an oscillating Rear Wash for 60 seconds followed by a 3 minute Dry.

Pressing the "STOP" button will immediately end the wash or dry.



THREE BUTTON OPERATION

1. REAR (Blue) and FRONT (Purple) buttons

REAR will wash the anus and FRONT will run a feminine wash targeting the vaginal area. Press the "REAR" or "FRONT" button and the unit will wash the area for 90 seconds. Seat beeps when wash is over.

Press either "REAR" or "FRONT" a second time to activate a MOVE (oscillation) wash.

A third press will turn MOVE off.

Pressing "STOP" or "DRY" ends wash cycle.

2. DRY (Orange) button

Once the wash is complete, press the "DRY" button. Dryer will operate for 3 minutes.

Seat beeps when dryer function is over.

Drying effectiveness can be maximized by gently wiping wet area with toilet paper before pressing "DRY".

Press "STOP" to end the dry cycle early.

3. STOP (Red) button

Once the desired wash or dry is achieved, press "STOP" and the unit will stop all operating functions.

Basic Operation (SR Edition)

ONE BUTTON OPERATION

Press the "AUTO" button to start an oscillating Rear Wash for 60 seconds followed by a 3 minute Dry.

Pressing the "STOP" button will immediately end the wash or dry.

THREE BUTTON OPERATION

1. REAR and FRONT buttons

REAR will wash the anus and FRONT will run a feminine wash targeting the vaginal area.

Press the "REAR" or "FRONT" button and the unit will wash the area for 90 seconds. Seat beeps when wash is over.

Press either "REAR" or "FRONT" a second time to activate a MOVE (oscillation) wash.

A third press will turn MOVE off.

Pressing "STOP" or "DRY" ends wash cycle.

2. DRY button

Once the wash is complete, press the "DRY" button.

Dryer will operate for 3 minutes.

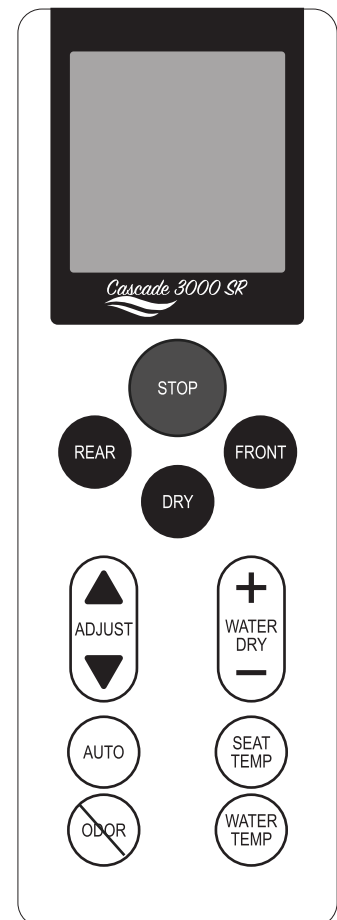
Seat beeps when dryer function is over.

Drying effectiveness can be maximized by gently wiping wet area with toilet paper before pressing "DRY".

Press "STOP" to end the dry cycle early.

3. STOP (Red) button

Once the desired wash or dry is achieved, press "STOP" and the unit will stop all functions.



Additional Functions

Water Temperature Adjustment

- Press the "WATER TEMP" button to adjust the water temperature level.
- Each button press increases the temperature until the highest setting is selected. Pressing "WATER TEMP" when temperature is high resets to lowest temperature.
- 3 temperature control levels: Lo (93F) / Mid. (99F) / Hi (104F)

Warm Seat Temperature Adjustment

- Press the "SEAT TEMP" button to adjust the seat temperature level.
- Each button press increases the temperature until the highest setting is selected. Pressing "SEAT TEMP" when temperature is high resets to lowest temperature.
- 3 temperature control levels: Lo (95F) / Mid. (100F) / Hi (104F)

Dryer Temperature Adjustment

- The unit remembers last warm air temperature settings.
- Press "+" or "-" button to adjust the temperature of the warm air (1~5 Level).

Deodorize Mode

- Press the "ODOR" button to activate the deodorize mode.
- When deodorize mode is active, deodorizer runs automatically as long as the seat is occupied.
- When the deodorizer runs, a small fan pulls the air from the bowl through an active carbon filter to remove odor from the toilet bowl.
- After the seat is unoccupied, deodorizing function automatically runs for 1 minute and stops.
(When occupying the seat for over 30 minutes, it runs for 30 minutes and stops)
- To turn off deodorize mode, press the "ODOR" button a second time.

The unit remembers the water and seat temperature settings even if the power is shut off.

Water Pressure Adjustment

- Press the "-" or "+" button while the wash is running to adjust the water pressure.
- 3 pressure control levels: Lo / Mid. / Hi
- The unit remembers the last water pressure settings.

Nozzle Position Adjustment

- Press the "▲" or "▼" button to adjust the nozzle position during "REAR" or "FRONT" wash.
- Nozzle defaults to the middle position.

Power On/Off

- Press the "REAR WASH/STOP" button on the seat (this button is not on the remote) for more than 4 seconds to turn off the seat.
- Press any button to turn the seat back on.
- Seat saves all settings even when powered down or unplugged.
- If you are unsure whether the seat is on, refer to the Power LED indicator.

Automatic Functions

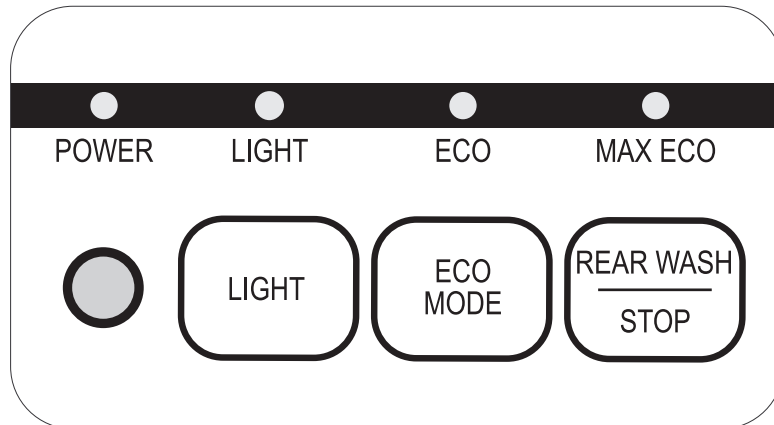
Self-Cleaning Nozzle

- The Self-Cleaning Nozzle function runs and cleans the Nozzle Head before and after each operation.

Low Temperature Burn Protection System

- Seat temperature automatically goes down if the temperature runs on "HI" for over 30 minutes. This is done to reduce the risk of low temperature burns.
- Seat returns to set point after resetting or moving away from the seat.

- *When using the seat, sit in center.*
- *The seat sensor is installed inside the seat itself (please refer to page 4). The seat begins to operate only when a user's skin touches the seat sensor. If the seat cannot sense skin due to an object, residue, etc. between the seat and the user's skin, the seat will not operate.*
- *The control panel located on the body of the seat is designed to be used in case the remote batteries die. Because of this, more advanced features are not located on this panel. To operate more advanced features, the remote must be used.*



LED Nightlight

- Press "LIGHT" button on the seat itself to activate LED nightlight's darkness sensor.
- When activated the nightlight turns on automatically when room is dark.
- To turn the LED Nightlight function off, press "LIGHT" button again.

LED Nightlight uses very little electricity.

Eco Mode (Power Saving)

- Press "ECO MODE" button on the seat until the ECO indicator lights up.
- Seat maintains a warm temperature of 86F (rather than last SEAT TEMP setting).
- When sitting on the seat the temperature will rise to SEAT TEMP setting selected.
- Eco Mode returns the seat to 86F once seat is unoccupied.
- To cancel Eco Mode power saving function, press "ECO MODE" button again.

Max Eco Mode (Max Power Saving)

- Press the "ECO MODE" button on the control panel until the MAX ECO light turns on.
- The MAX Eco Mode is the most energy efficient option. In this mode, the seat will reduce water and seat temperatures to room temperature when the room is dark.
- When the lights are turned on, the temperature settings go back to the settings that were last used.
- Seat goes back to last SEAT TEMP setting when occupied even if lights are off.
- To turn off MAX Eco Mode, press the "ECO MODE" button until the MAX ECO light turns off.

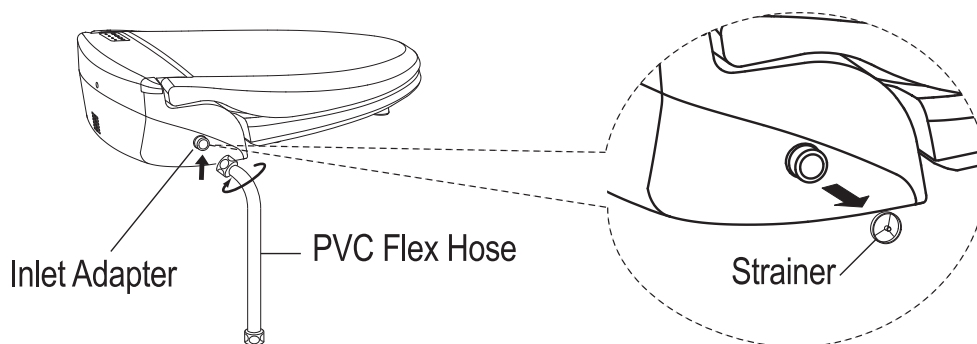
Maintenance

Cleaning Water Strainer

1. Drain toilet water tank completely after turning off the water supply by turning the Shut Off Valve.
2. Detach the PVC Flex Hose from the inlet adapter.
3. Detach the strainer from the inlet adapter and clean with warm water, then reinsert strainer.

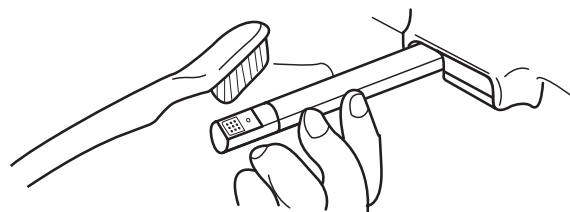
If unable to loosen by hand, gently use pliers or similar tool.

4. Attach the hose to the inlet adapter, then turn on water supply.



Cleaning Nozzle

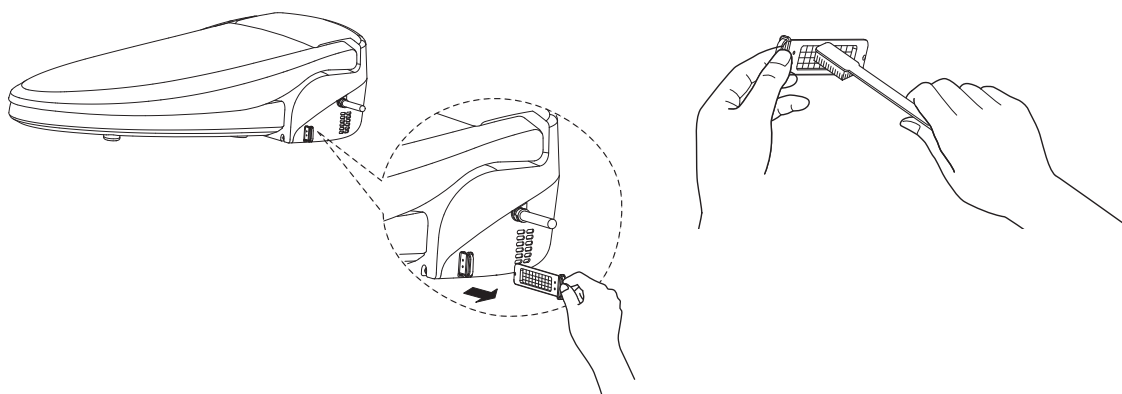
1. Press “REAR WASH/STOP” and “ECO MODE” buttons on the seat simultaneously.
The nozzle will come out and stop.
2. Clean the nozzle with a soft brush. To return the nozzle to its storage position, press the “REAR WASH/STOP” button.
The nozzle self cleaning function automatically activates.



Cleaning Air Strainer

The air strainer keeps dust from flowing into the deodorizer.

1. Pull the strainer out of the body of the seat.
2. Delicately brush or wash off dust.
3. Let strainer dry, then insert the strainer back into the seat.

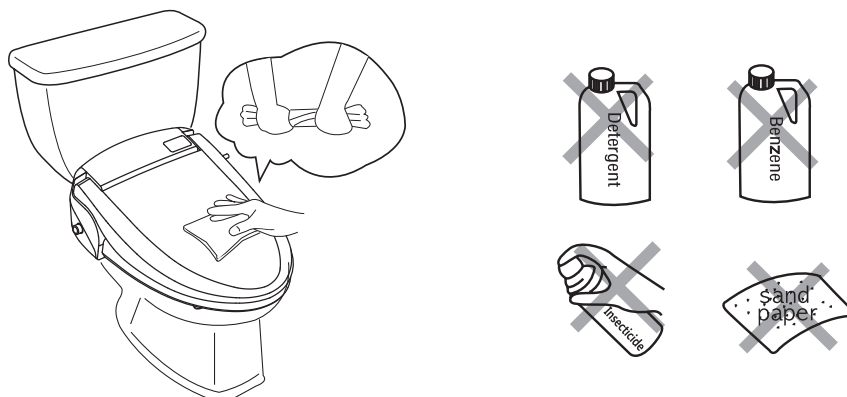


External Cleaning

1. Disconnect the power plug before cleaning.
2. Place plug in a dry location.
3. Wipe the unit with a tightly wrung wet soft cloth.

Only use all natural cleaners.

Do not spray water, bleach or other liquids on the unit.

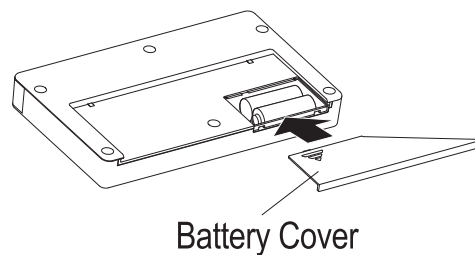
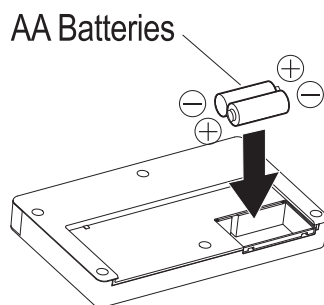
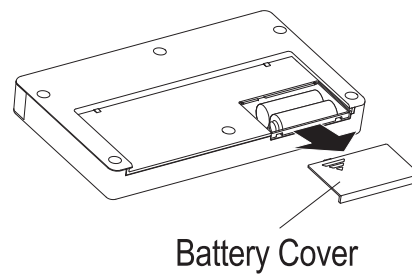
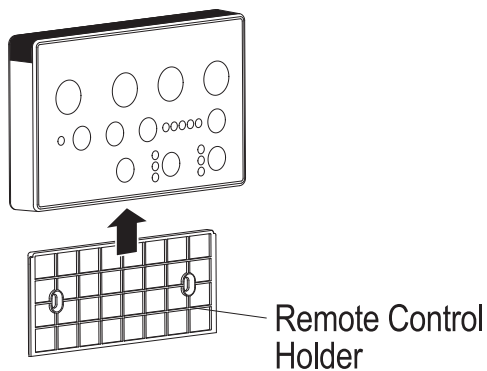


Changing Remote Control Batteries

- When the “BATTERY SIGN” indicator blinks on and off, remote buttons will not work properly and it is time to replace the batteries.
Batteries may discharge quickly under certain operating conditions. In this case the remote control unit may not work properly before the user notices the “BATTERY SIGN” indicator is blinking.

- Battery type: AA

1. Remove remote control from the remote control holder.
2. Open the battery cover and change to new batteries (battery life time: about 1 year).
3. Close the battery cover and insert the remote control into the remote control holder.



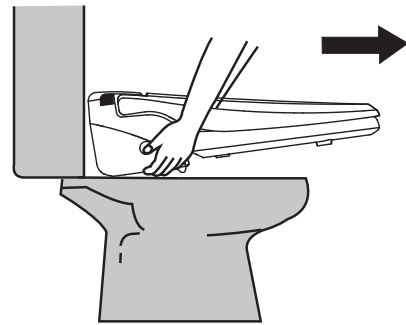
⚠ Caution

- *Battery type AA. Risk of explosion if battery is replaced by an incorrect type. Dispose of used batteries according to the instructions.*
- *Insert the batteries according to the (+) , (-) indications marked on the remote control.*
- *Do not use new and used batteries together.*

Detachment and Service Request

Detachment

1. Disconnect the power plug.
2. Close the water supply by turning the Shut Off Valve clockwise and drain the toilet water tank completely.
3. Disconnect the PVC Flex Hose from the T-valve and remove the seat from the toilet. Then remove the Catch Plate from the toilet.



To detach the unit, pull forward and slightly up on the seat, as shown.

4. Disconnect the T-valve.
5. Reconnect the water-supply hose to the toilet.
6. Open the Shut Off Valve and check any leaks on the connections.
7. Reinstall the original seat and lid.

Service Request

For all service requests, please follow the current instructions on our website. Instructions can be found at: www.yourdignitysolutions.com/service-request

Troubleshooting

Check the list below before calling for service.

Problem Description	Possible Causes
Unit does not operate at all	<ul style="list-style-type: none">• The power is OFF. (<i>Press any button to check.</i>)• The power plug is disconnected. (<i>Plug in unit.</i>)• There is a power failure.
Wash (Rear/Front), Dry, Auto do not operate	<ul style="list-style-type: none">• Make sure there is nothing blocking the seat sensor.
Remote control does not operate at all	<ul style="list-style-type: none">• Batteries in the remote control may have died• Something in the bathroom is interfering with remote's signal.• The toilet is in a very tight space.
No water spray	<ul style="list-style-type: none">• The shut off valve is closed.• The water strainer is clogged.
Low water pressure	<ul style="list-style-type: none">• The water pressure level is set to "LO".• The water strainer is clogged.
Water temperature is low	<ul style="list-style-type: none">• The water temperature level is turned off or set to "LO".
Seat is not warm	<ul style="list-style-type: none">• The warm seat temperature level is turned off or set to "LO".
Dryer air is not warm	<ul style="list-style-type: none">• The warm air dryer temperature level is turned off or set to "LO".

Product Specifications

Item		CASCADE 3000	
Power Supply		120V~ , 60Hz	
Max. Power Consumption		1460W	
Length of Power Cord		3.94ft (1.2m)	
Water Supply Connection		Direct connection to the water supply	
Water Supply Pressure		14.223psi~106.675psi	
Cleansing	Water Flow Rate	Rear	Max. 0.185gal/min
		Front	Max. 0.185gal/min
	Water Pressure Adj.		3 Levels
	Temp. Adjustment		Normal Temp. 93.2F(34C), 98.6F(37C), 104F(40C)
	Heater Capacity		1400W
Safety Device		Thermal Fuse, Thermostat	
Warm Seat	Temp. Adjustment		Normal Temp. 95F(35C), 100.4F(38C), 104F(40C)
	Heater Capacity		55W
	Safety Device		Thermostat
Dry	Temp. Adjustment		Normal Temp. ~ 122F(50C) (5 Levels)
	Heater Capacity		195W
	Safety Device		Thermal Fuse, Bi-metal
Deodorization		Catalytic Deodorization	
Water Supply Temp.		37.4F(3C) ~ 95F(35C)	
Temp. of circumstance for use		37.4F(3C) ~ 104F(40C)	
Product Size	Elongated	1.26ft(W) x 1.74ft(L) x 0.51ft(H) (385mm x 530mm x 155mm)	
	Round Front	1.26ft(W) x 1.62ft(L) x 0.51ft(H) (385mm x 495mm x 155mm)	
Product Weight	Elongated	8.60lbs(4.2kg)	
	Round Front	8.38lbs(4.1kg)	

REGULATIONS

This equipment has been tested and found to comply with the limits for a Class B digital device, pursuant to part 15 of the FCC Rules. These limits are designed to provide reasonable protection against harmful interference in a residential installation. This equipment generates, uses and can radiate radio frequency energy and, if not installed and used in accordance with the instructions, may cause harmful interference to radio communications. However, there is no guarantee that interference will not occur in a particular installation. If this equipment does cause harmful interference to radio or television reception, which can be determined by turning the equipment off and on, the user is encouraged to try to correct the interference by one more of the following measures:

- Reorient or relocate the receiving antenna.
- Increase the separation between the equipment and receiver.
- Connect the equipment to an outlet on a circuit different from the circuit to which the receiver is connected.
- Consult the dealer or an experienced radio/TV technician for help.

WARNING

Any changes or modifications not expressly approved by the manufacturer could void the user's authority to operate the equipment.

ORDER ENTRY BY FAX 888.802.8186 OR EMAIL orders@healthathomeinc.com
Office 704.956.4121 or 850.543.4482 www.healthathomeinc.com
Products that enhance safety, vitality, & longevity at home.

Warranty

Product Warranty Card

For complete warranty details or to make a claim, visit www.yourdignitysolutions.com/c3000-warranty

- We warrant our products to be free from manufacturing defects under normal use and service for a period of four(4) years after purchase. This warranty is extended only to the original purchaser.
- For product defect, please contact your vendor or our service center.

Product Name		Model Name	
Date of Purchase		Subscription ID	
Name of Purchaser		Duration of Warranty	4 Years

Free After-Sales Service Regulations

- During the warranty period, if a product defect occurs during normal application as stated in the Instruction Manual, Cautionary Notes, Direction Labels, etc., the product is eligible for after-sales service free of charge.
- Even during the warranty period, after-sales service is not free of charge in case of the following conditions:

- (1) Damage occurring from customer negligence or fault, and defect or damage occurring from wrongful repair or alteration.
- (2) Defect or damage occurring from fire, gas, flood, earthquake, lightning, other natural calamities, pollution, or abnormal electrical power.
- (3) Defect or damage occurring from outside of normal household usage (long term public usage, use inside a vehicle, installation inside a moving vessel, etc.).
- (4) Defect or damage occurring from transportation or mistreatment after purchase.
- (5) Defect or damage occurring during removal after installation.
- (6) Wearing of consumable parts (Packing, Filters, etc.).
- (7) Any actions cautioned in the Instruction Manual or other Labels.

*Read the Instruction Manual carefully before requesting after-sales services.
Charges will be invoiced for faulty service calls.*