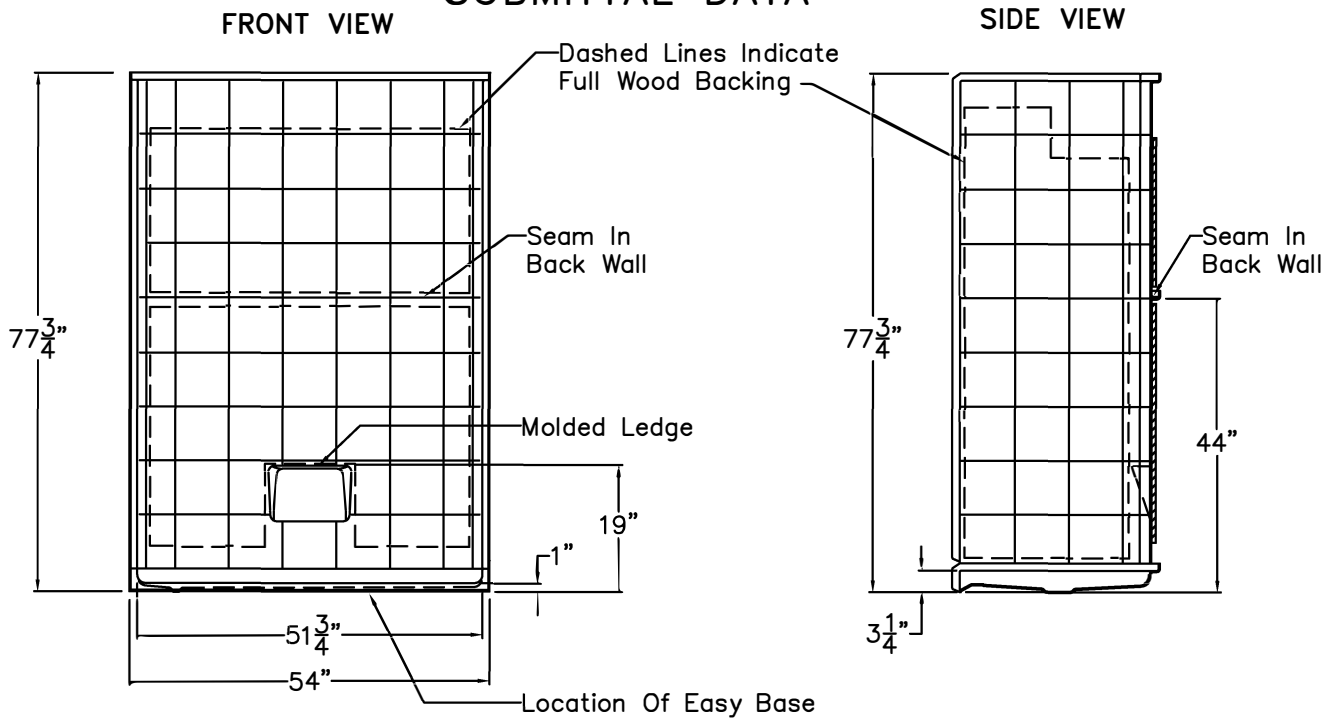


Comfort Series

SUBMITTAL DATA



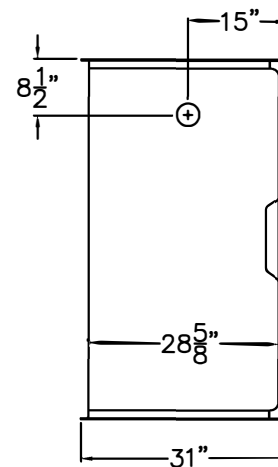
Sectional Shower

This shower enclosure shall be Praxis Model MP 5430 BF 5P 1.0 left or right drain. Finished surface shall be of sanitary-grade applied acrylic. The unit shall have outside dimensions of 54" x 31" x 77 3/4". The unit shall meet IAPMO Z124-2011, and CSA B45.5-11.

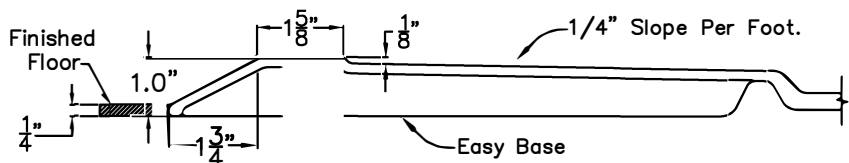
The enclosure shall be equipped with the following factory installed accessories:

- 1) Molded lower ledge on back wall,
- 2) Tile finish,
- 3) Five piece sectional design,
- 4) Full wood backing on all walls,
- 5) Factory installed Easy Base self sustaining bottom,
- 6) Left or right hand drain location,
- 7) 1.0" threshold.

TOP VIEW



Detail of 1.0" Threshold



DUE TO THE NATURE OF THE MATERIALS INVOLVED
UNIT DIMENSIONS MAY VARY ± 1/2 INCH

Health at Home, Inc.

Approved by Print Name:

Drawing#: MP 5430 BF 5P 1.0 L-R

Approved by Signature:

Date:

Date: 3-31-09

Revised: 2-21-17

Rep.:

Wholesaler:

Quote No.

ORDER ENTRY BY FAX 888.802.8186 OR EMAIL orders@healthathomeinc.com

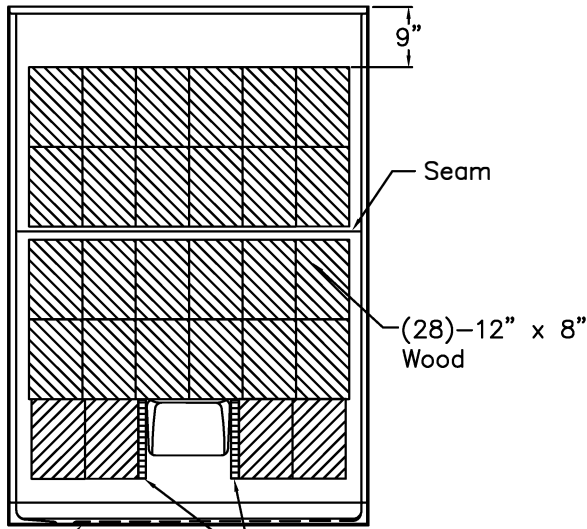
Office 704.960.0148 or 980.900.2845 www.healthathomeinc.com

Products that enhance safety, vitality, & longevity at home.

Board Placement Drawing

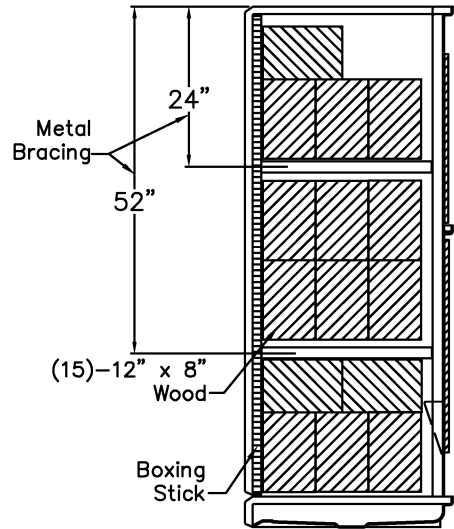
SUBMITTAL DATA © 2004

FRONT VIEW

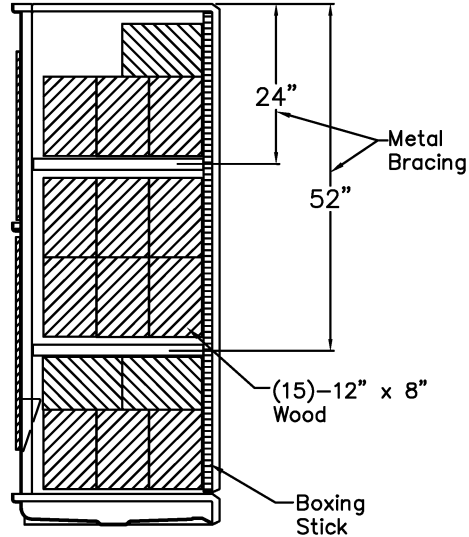


Easy Base Boxing Sticks

SIDE VIEW



SIDE VIEW



DUE TO THE NATURE OF THE MATERIALS INVOLVED
UNIT DIMENSIONS MAY VARY ± 1/2 INCH

Job Name:	Health at Home, Inc.		
Approved by Print Name:	Drawing#: MP 5430 BF 5P 1.0 L-R-BP		
Approved by Signature:	Date:	Date: 12-21-09	Revised: 2-21-17
Rep.:	Wholesaler:	Quote No.:	

ORDER ENTRY BY FAX 888.802.8186 OR EMAIL orders@healthathomeinc.com

Office 704.960.0148 or 980.900.2845 www.healthathomeinc.com

Products that enhance safety, vitality, & longevity at home.