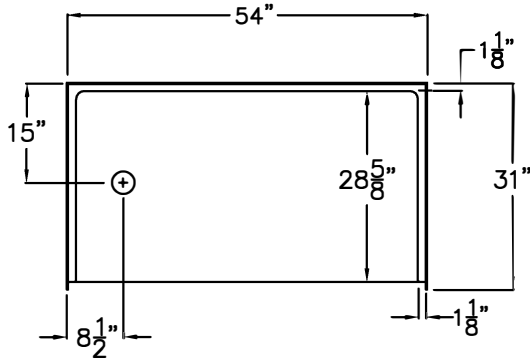
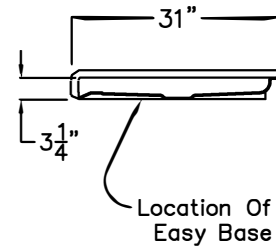


Comfort Series SUBMITTAL DATA

TOP VIEW



SIDE VIEW



Shower Pan

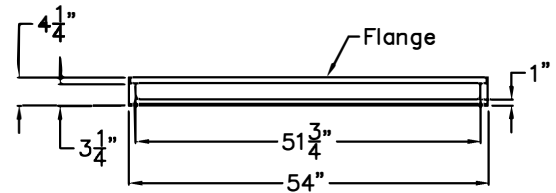
This shower pan shall be RBSP 5430 BF 1.0 right or left drain. Finished surface shall be of sanitary-grade applied acrylic. The unit shall have outside dimensions of 54" x 31" x 4 1/2". The unit shall meet IAPMO Z124-2011, and CSA B45.5-11.

The enclosure shall be equipped with the following factory installed accessories:

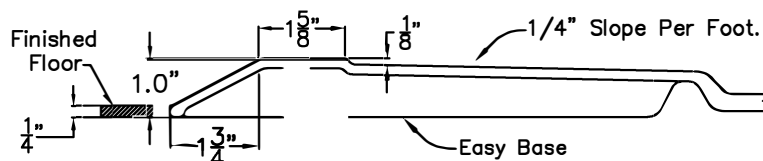
- 1) Left or right drain location,
- 2) Factory installed Easy Base self sustaining bottom,
- 3) 1.0" change of level threshold.

NOTE: DUE TO THE COMPACT SIZE OF THIS PRODUCT, THE INTERIOR DEPTH DOES NOT COMPLY WITH IRC, IPC, AND UPC CODES.

FRONT VIEW



Detail of 1.0" Threshold



DUE TO THE NATURE OF THE MATERIALS INVOLVED
UNIT DIMENSIONS MAY VARY ± 1/2 INCH

Job Name:	Health at Home, Inc.
Approved by Print Name:	Drawing#: MPB 5430 BF 1.0 PAN
Approved by Signature:	Date: 3-31-09 Revised: 11-14-16
Rep.:	Wholesaler: Quote No.

ORDER ENTRY BY FAX 888.802.8186 OR EMAIL orders@healthathomeinc.com

Office 704.960.0148 or 980.900.2845 www.healthathomeinc.com

Products that enhance safety, vitality, & longevity at home.