



health at home, inc.
Enhancing Safety, Vitality & Longevity at Home

Bilanx® bathing collection

strike the balance Design Safety



Bilanx HDPE Shower Seating - 26"

Comfort & Security - High Density Polyethylene Shower Seats with durable stainless steel frames

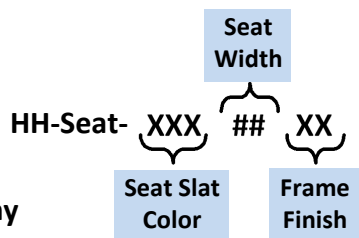
The Bilanx Bathing Collection

The Bilanx shower seats are designed and tested to exceed 500lbs.

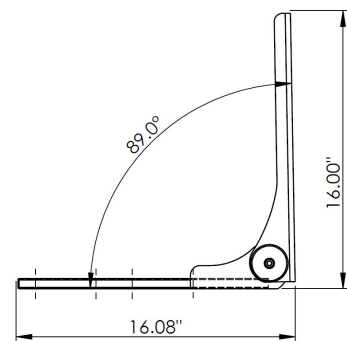
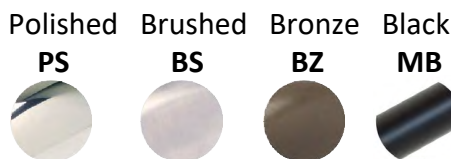
Seat Slat Color Options:

	White	WH
	Gray	GR
	Light Gray	LTGR
	Black	BL
	Patriot Blue	PBLUE
	Sand	SN
	Weathered Wood	WW
	Mahogany	Mahogany
	Driftwood Gray	DWGR
	Coastal Gray	CGRAY
	Walnut HDPE	WALHDPE
	Brazilian Walnut	BZWalnut
	Birchwood	Birchwood
	Antique Mahogany	Ant. MA
	Teak HDPE	TKHDPE

Model Number classification:
Ex: HH-Seat-GR26PS

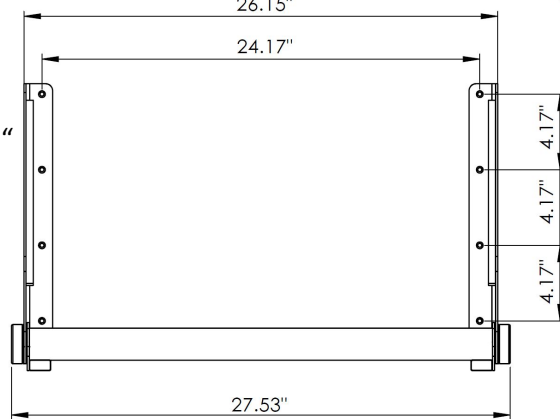


Frame Finish options:



Specifications

Seat frames are manufactured using high quality 12 gauge, type 304 stainless steel. The rotation of the stainless steel seat barrel allows the bottom to fold up flat against the wall when not in use (2 7/8" projection when closed). Teflon gasketing assures smooth movement up and down with light tension. The 4 seat slats are 1" thick x 5.25" wide x 26" long. The recycled HDPE material is color fast, does not harbor bacteria, and is easy to clean/disinfect. The two upper slats slide out by hand to expose 4 countersunk anchoring screw ports on each arm. (8) 2.5" stainless steel screws are provided. The Bilanx seats are designed and tested for weight bearing capacities to 500 lbs. when installed per instructions. It is imperative when installing to insure that the seat is being fastened to sufficient backing or blocking for proper support. Bronze and Matte Black finishes are electrostatically applied to the stainless steel. "Polished" and "Brushed" finishes are actual polished and brushed stainless steel.



ORDER ENTRY BY FAX 888.802.8186 OR EMAIL orders@healthathomeinc.com

Office 704.960.0148 or 980.900.2845 www.healthathomeinc.com

Products that enhance safety, vitality, & longevity at home.