



health at home, inc.
Enhancing Safety, Vitality & Longevity at Home

Bilanx bathing collection®

strike the balance Design Safety

Bilanx Natural wood Shower Seating - 18"

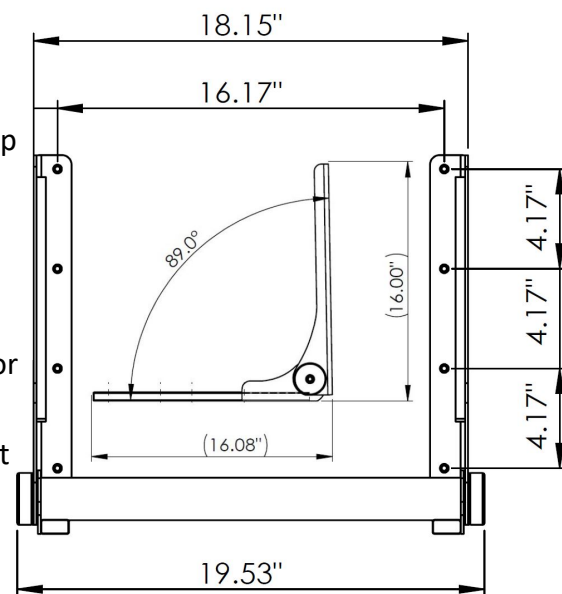
The Bilanx Bath® Natural-Wood Collection

The Bilanx shower seats are designed and tested to exceed 500lbs and come in both 18" and 26" wide versions.



- HH-TK18PS Teak Slats, Polished Stainless Frame
- HH-WAL18PS Walnut Slats, Polished Stainless Frame
- HH-TK18BS Teak Slats, Brushed Stainless Frame
- HH-WAL18BS Walnut Slats, Brushed Stainless Frame
- HH-TK18ORB Teak Slats, Oil Rubbed Bronze Frame
- HH-WAL18ORB Walnut Slats, Oil Rubbed Bronze Frame
- HH-TK18MB Teak Slats, Matte Black Frame
- HH-WAL18MB Walnut Slats, Matte Black Frame

Frame Finish options:



Specifications

Seat frames are manufactured using high quality 12 gauge, type 304 stainless steel. The rotation of the stainless steel seat barrel allows the bottom to fold up flat against the wall when not in use (2 7/8" projection when closed). Teflon gasketing assures smooth movement up and down with light tension. The 4 seat slats are 1" thick x 5.25" wide x 18" long. The two upper slats slide out by hand to expose 4 countersunk anchoring screw ports on each arm. (8) 2.5" stainless steel screws are provided. The Bilanx seats are designed and tested for weight bearing capacities to 500 lbs. when installed per instructions. It is imperative when installing to insure that the seat is being fastened to sufficient backing or blocking for proper support. Bronze and Matte Black finishes are electrostatically applied to the stainless steel. "Polished" and "Brushed" finishes are actual polished and brushed stainless steel.

ORDER ENTRY BY FAX 888.802.8186 OR EMAIL orders@healthathomeinc.com

Office 704.960.0148 or 980.900.2845 www.healthathomeinc.com

Products that enhance safety, vitality, & longevity at home.