



health at home, inc.  
Enhancing Safety, Vitality & Longevity at Home

*Bilanx* bathing collection®

strike the balance Design Safety

# HH-2200XX

## Bilanx corner shelf with grab bar

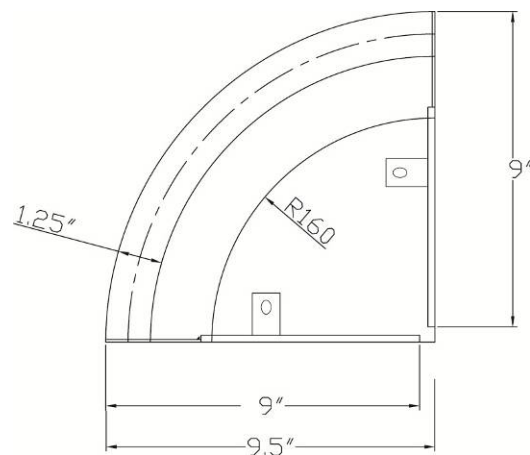
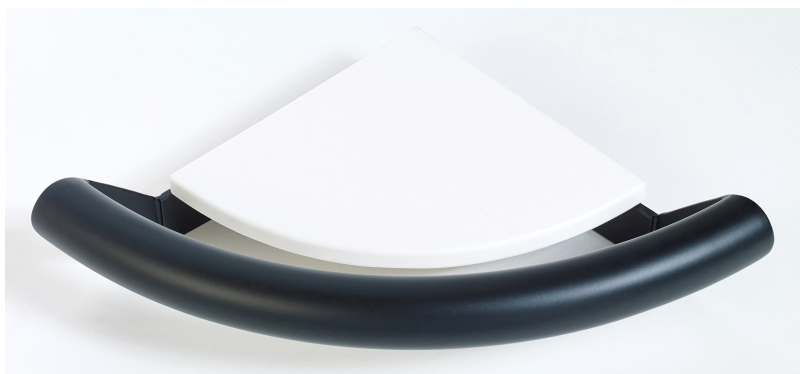
The Corner Shelf Grab Bar is manufactured using high quality 18 gauge 1.25" diameter 304 stainless steel. 4 Convenient mounting holes allow for easy installation and preserving the clean finished look.

The Bilanx Collection has been designed, built, and tested to 500lbs exceeding HUD, FHA, VA, ADA, ANSI and other federal, provincial, and local codes.

\*Grab Bars can only be as strong as what they are mounted to. It is imperative when installing any safety product to consult with a qualified contractor to insure you have sufficient backing.



This discreet shelf conceals the grab bar functionality. The removable tray's surface is mold/mildew resistant and could be used to template a cut piece of solid surface, tile, or stone for a more custom appearance.



Dimension tolerances +/- 3/16"

HH-2200PS POLISHED STAINLESS

HH-2200BS BRUSHED STAINLESS

HH-2200ORB OIL RUBBED BRONZE

HH-2200MB MATTE BLACK

ORDER ENTRY BY FAX 888.802.8186 OR EMAIL [orders@healthathomeinc.com](mailto:orders@healthathomeinc.com)  
Office 704.960.0148 or 980.900.2845 [www.healthathomeinc.com](http://www.healthathomeinc.com)  
*Products that enhance safety, vitality, & longevity at home.*